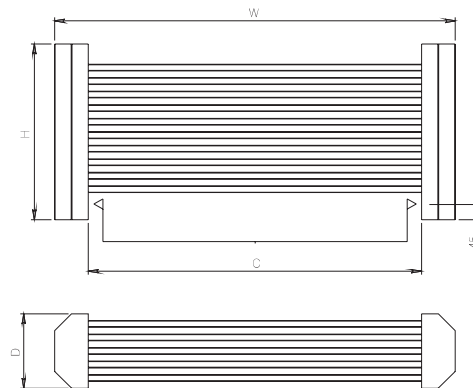
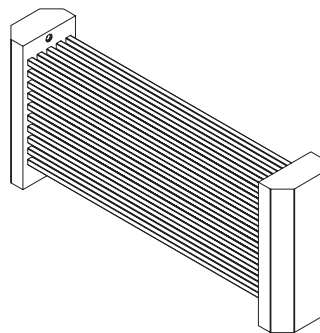




april

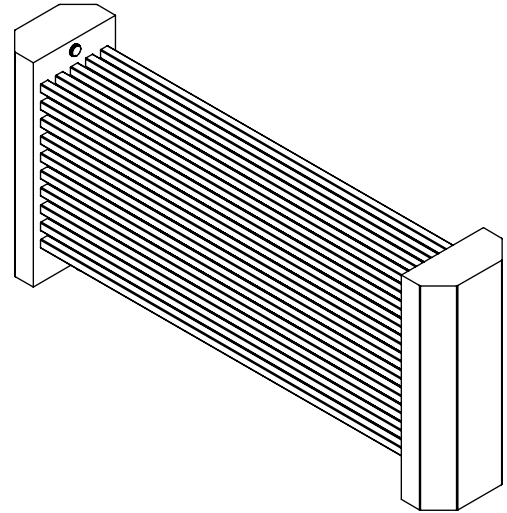
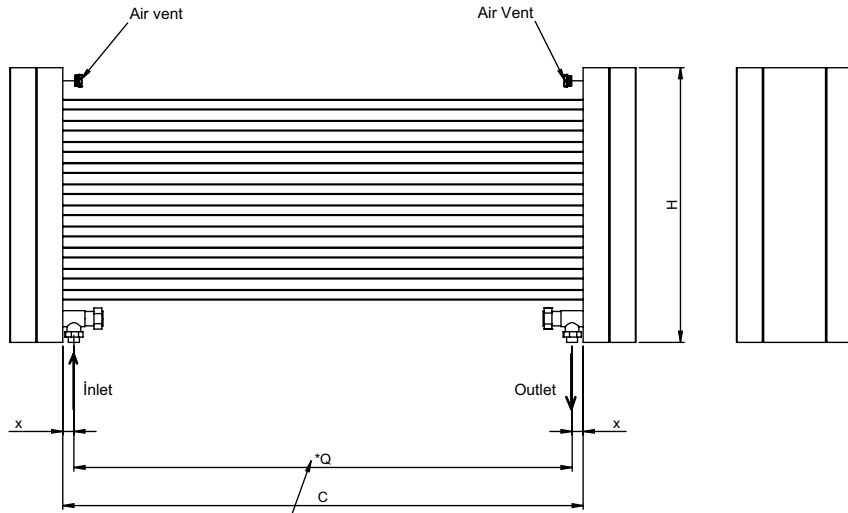


material	finish	electric version	wall installation	warranty
stainless steel	satin polished	not available	floor standing	10 years

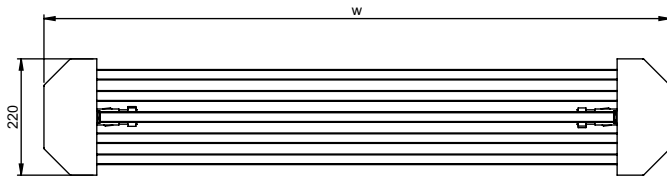
max. working pressure: 10 bar
 max. working temperature: 95°C
 all dimensions are in mm.
 connections 1/2"

Product Code	Width	Height	Depth	Connection Centers	Tube Quantity	Assembly Axis		Weight	Water Capacity	THERMAL POWER		
	W	H	D	C		S	L	kg.	lt.	btu	k/cal	watt
APR120005002309	1200	500	220	990	23	-	-	41,7	9,5	4539	1143	1329
APR120005003109	1200	500	220	990	31	-	-	48,4	11,8	6116	1540	1791
APR120005004709	1200	500	220	990	47	-	-	61,5	16,3	9272	2335	2715
APR170005002309	1700	500	220	1490	23	-	-	51,7	12,8	6807	1714	1993
APR170005003109	1700	500	220	1490	31	-	-	61,8	16,1	9173	2310	2686
APR170005004709	1700	500	220	1490	47	-	-	82,2	22,8	13906	3502	4072

APRIL



*Q: Connector center is: $C - 2X$



Product Code	Width	Height	Depth	Connection Centers	Tube Quantity	Assembly Axis		Weight	Water Capacity
	W	H	D	C		S	L	kg.	lt.
APR120005002309	1200	500	220	990	23	-	-	41.7	9.5
APR120005003109	1200	500	220	990	31	-	-	48.4	11.8
APR120005004709	1200	500	220	990	47	-	-	61.5	16.3
APR170005002309	1700	500	220	1490	23	-	-	51.7	12.8
APR170005003109	1700	500	220	1490	31	-	-	61.8	16.1
APR170005004709	1700	500	220	1490	47	-	-	82.2	22.8