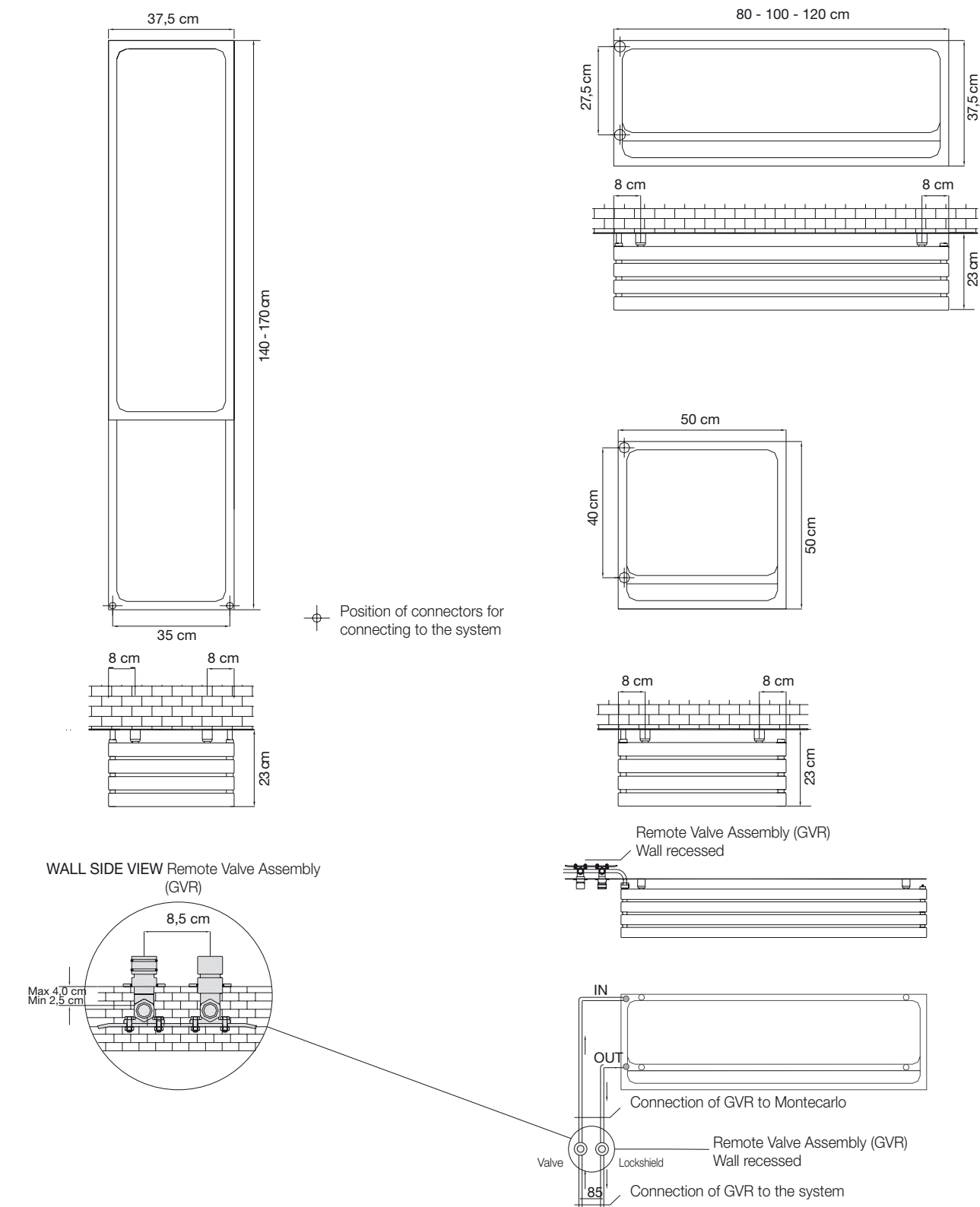


Kalmar montecarlo

VERSIONS AVAILABLE
- WATER

PACKING
The PACKING box is included in the price, besides the radiator it contains the supports and the vent valve

CONNECTORS
The MONTECARLO model is connected to the heating system with the remote connection Valve and Lockshield (GVR) supplied separately. To fully understand how to arrange for installation consult the technical section here below.



Kalmar montecarlo

The full price of MONTECARLO DOES NOT include the Remote Valve Assembly (GVR) which is supplied aside as an accessory

HYDRAULIC VERSION

Model	General features				CHROME-PLATED model			COLOURED model				
	H (cm)	L (cm)	P (cm)	Inter-axis (cm)	Thermal yield Watts ΔT 50°C	Category G0	Water Content (l)	Thermal yield Watts ΔT 50°C	Category C0	Category C1/C2	Category C3	Water Content (l)
HORIZONTAL												
MO 080 - MOC#080	37,5	80,0	23,0	27,5	385		7,258	597				6,600
MO 100 - MOC#100	37,5	100,0	23,0	27,5	451		8,587	683				7,900
MO 120 - MOC#120	37,5	120,0	23,0	27,5	534		9,890	792				8,700
SQUARE												
MQ 050 - MQC#050	50,0	50,0	23,0	40,0	314		6,100	512				5,400
VERTICAL												
MV 140 - MVC#140	140,0	37,5	23,0	35,0	497		10,793	830				9,500
MV 170 - MVC#170	170,0	37,5	23,0	35,0	604		12,584	992				11,300

Code MO# refers to the chrome-plated version whereas code MOC# refers to the coloured version.

remote connection valve assembly (GVR)

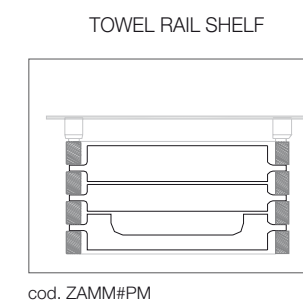
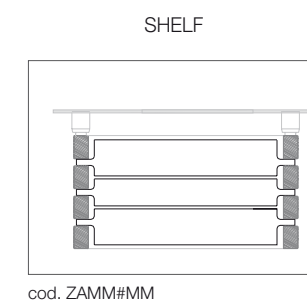
Includes the complete Valve and Lockshield assembly for remote connection (GVR), can be installed up to a maximum distance of 6 metres from the radiator.

Code	Description	Chrome plated G0
GVR	RECESSED valve and lockshield assembly for remote connection	

PRICES OF ACCESSORIES

Only for the Montecarlo vertical version

Code	Description	Finishes
ZAMM#MMWE	30,5x17,5x2,5 cm wooden shelf for Montecarlo vertical	wenge wood
ZAMM#MMRS	30,5x17,5x2,5 cm wooden shelf for Montecarlo vertical	bleached oak
ZAMM#PMWE	30,5x17,5x2,5 cm wooden towel holder for Montecarlo vertical	wenge wood
ZAMM#PMRS	30,5x17,5x2,5 cm wooden towel holder for Montecarlo vertical	bleached oak



Kalmar Montecarlo electric version

Steel radiator with 40 x 25 rectangular section tubular elements with coloured finish

VERSIONS AVAILABLE

- ELECTRIC is available ONLY in the COLOURED version and NOT in the Chrome-plated version

NOTES

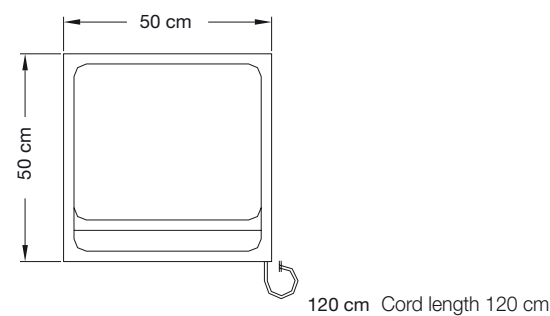
The Montecarlo ELECTRIC model is supplied with a 120 cm long white-coloured cord without the plug. The resistor installed in the Montecarlo ELECTRIC model is a PTC resistor with IP64 level protection - CEI 61-150 EN60335-1 reference regulations.

Contrary to traditional resistors, the PTC resistors have variable energy consumption according heat needs, i.e. there is maximum consumption when just switched on and then consumption reduces when the room temperature is reached. The PTC resistors do not burn out if they are switched on in a radiator that has mistakenly been left without any water.

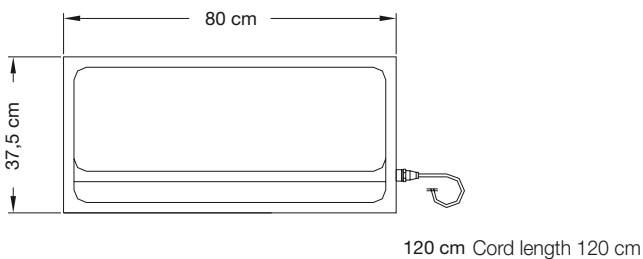
PACKING

The PACKING box is included in the price, besides the radiator it contains the supports.

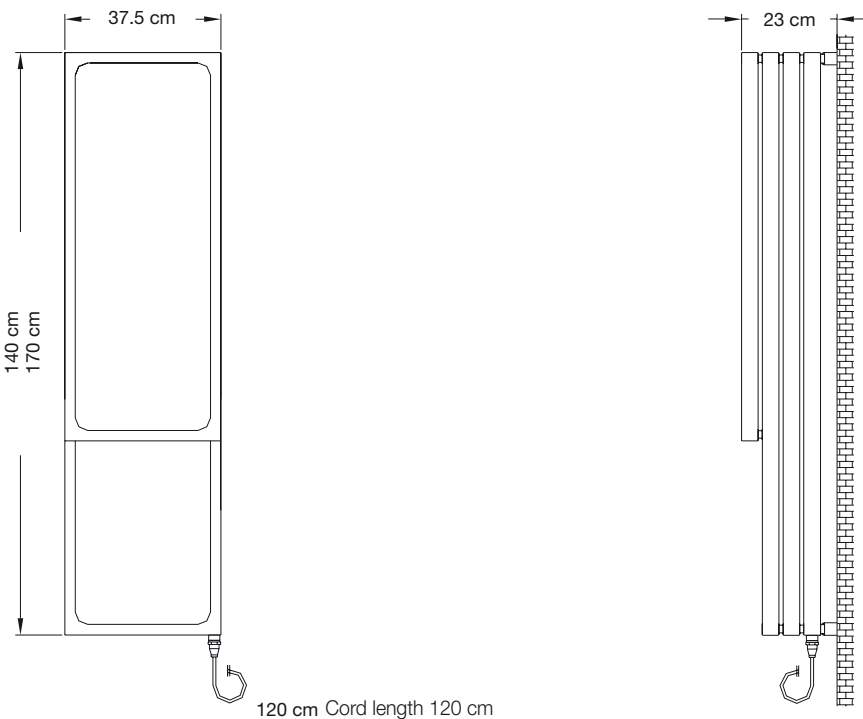
MQEC#050...



MOEC#080...



MVEC#140...
MVEC#170...



Kalmar Montecarlo electric version



Watt = Kcal/h ÷ 0,860
Kcal/h = Watt x 0,860

ELECTRIC VERSION

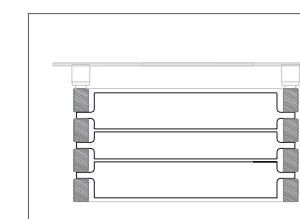
Code	L (cm)	H (cm)	P (cm)	Electric resistor Watts	Category C0 RAL 9010	Category C1/C2	Category C3	Water Content (l)
HORIZONTAL MOEC#080	80,0	37,5	23,0	500				6,600
SQUARE MQEC#050	50,0	50,0	23,0	300				5,400
VERTICAL MVEC#140	37,5	140,0	23,0	600				9,500
MVEC#170	37,5	170,0	23,0	900				11,300

PRICES OF ACCESSORIES

Only for the Montecarlo vertical version

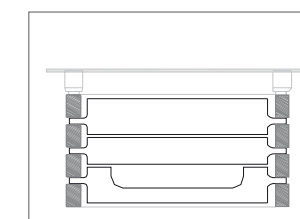
Code	Description	Finishes	
ZAMM#MMWE	30,5x17,5x2,5 cm wooden shelf for Montecarlo vertical	wenge wood	
ZAMM#MMRS	30,5x17,5x2,5 cm wooden shelf for Montecarlo vertical	bleached oak	
ZAMM#PMWE	30,5x17,5x2,5 cm wooden towel holder for Montecarlo vertical	wenge wood	
ZAMM#PMRS	30,5x17,5x2,5 cm wooden towel holder for Montecarlo vertical	bleached oak	

SHELF



cod. ZAMM#MM

TOWEL RAIL SHELF



cod. ZAMM#PM