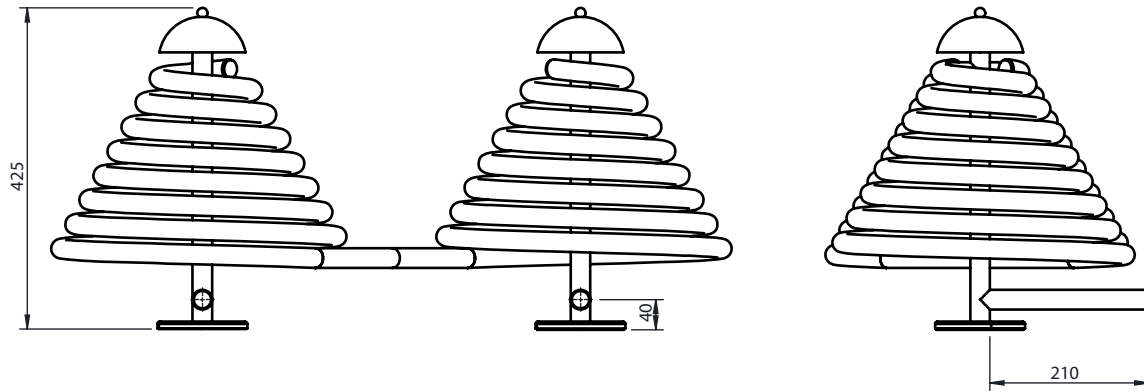
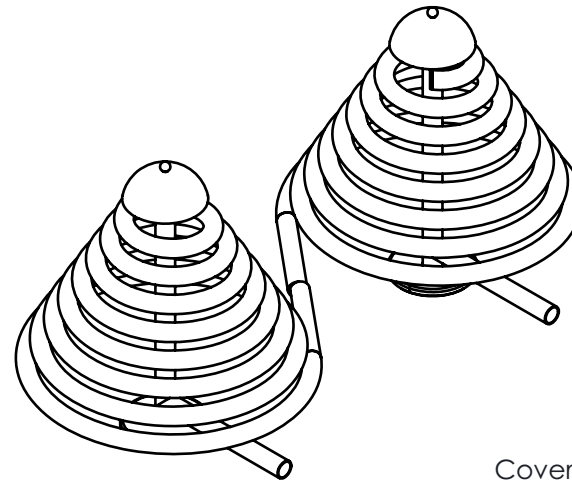
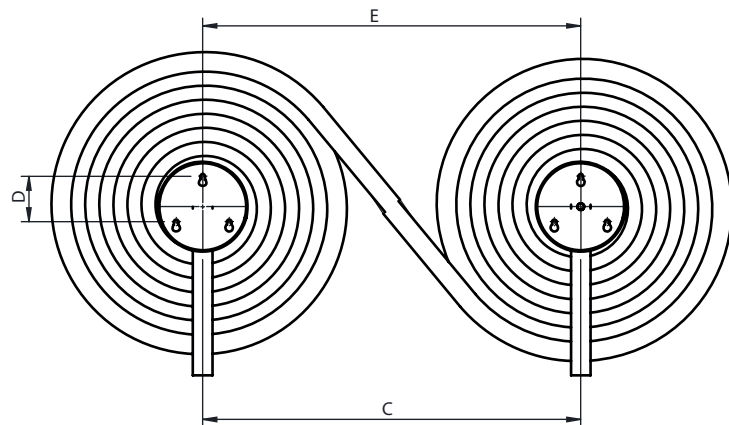
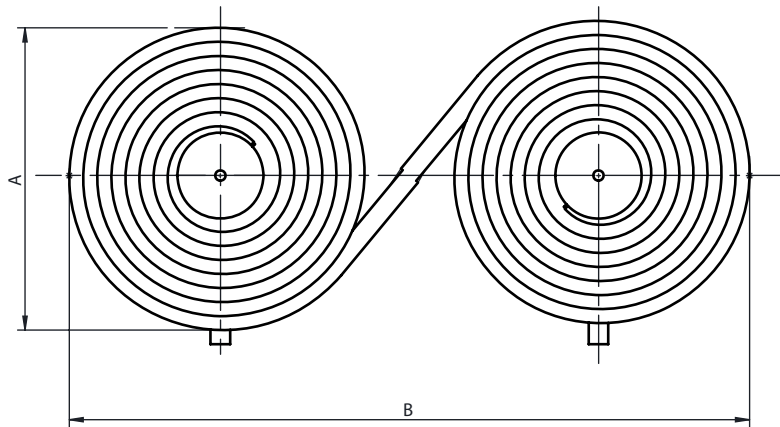


# Fitting Instruction-Parabola

Code:01.16.001-00.01



MODEL NAME	A HEIGHT mm	B LENGTH mm	C PIPE CENTER mm	D VERTICAL BRACKET CENTERS mm	E HORIZONTAL BRACKET CENTERS mm	HEAT OUTPUTS (BTU) Delta T:50 °C	HEAT OUTPUTS (WATT) Delta T:50 °C
Parabola 400	400	1000	500	60	500	1339	392



Cover and Bracket Assembly

