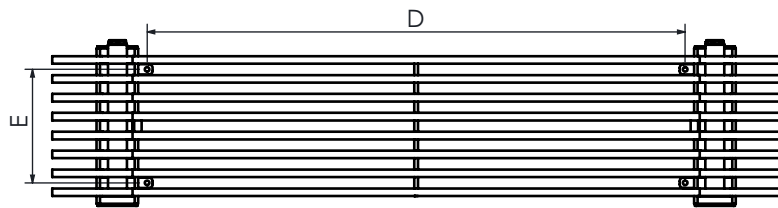
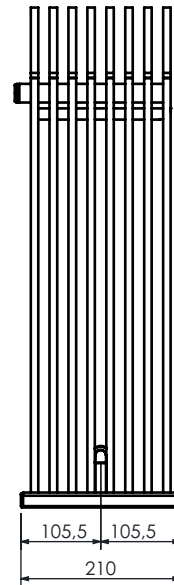
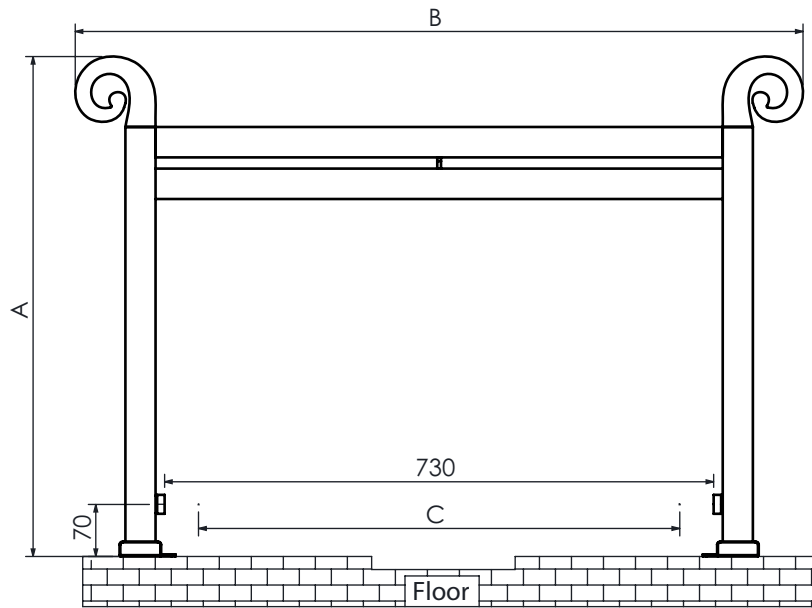
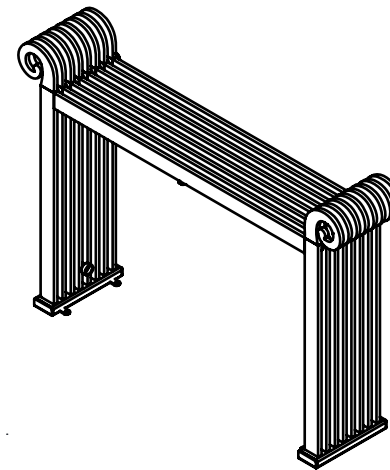


Fitting Instruction-Park

Code: ym.60.001-00.00



MODEL NAME	A	B	C	D	E	HEAT OUTPUTS (BTU)	HEAT OUTPUTS (WATT)
	HEIGHT mm	LENGTH mm	PIPE CENTER mm	VERTICAL BRACKET CENTERS mm	HORIZONTAL BRACKET CENTERS mm	Delta T:50 °C	Delta T:50 °C
Park 100	660	965	640	715	150	4317	1264
Park 120	660	1215	890	965	150	4997	1457
Park 150	660	1415	990	1165	150	5506	1612
Park 180	660	1715	1390	1465	150	6302	1845
Park 200	660	2030	1705	1780	150	7135	2089



Bracket Assembly

