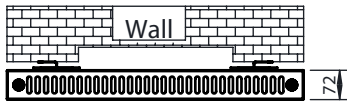
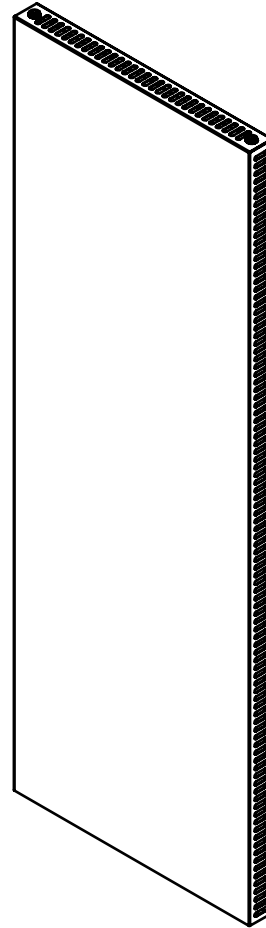
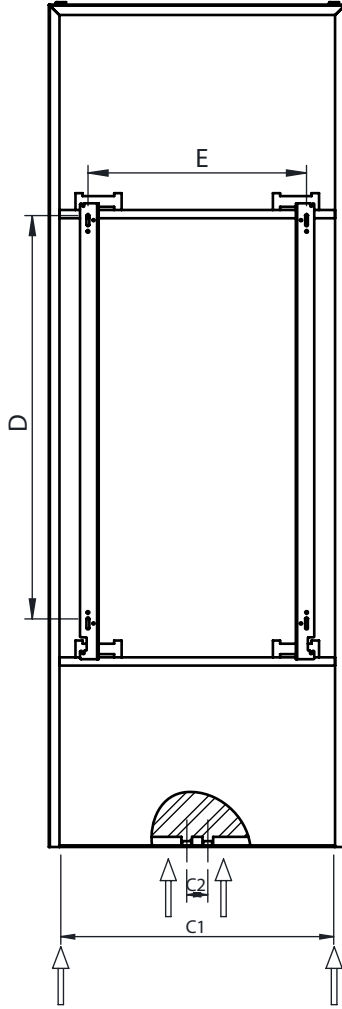
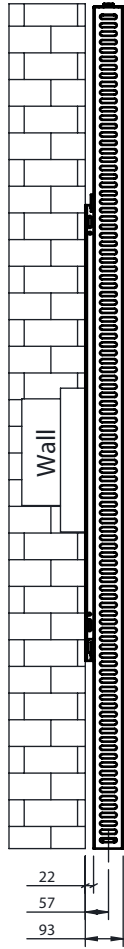
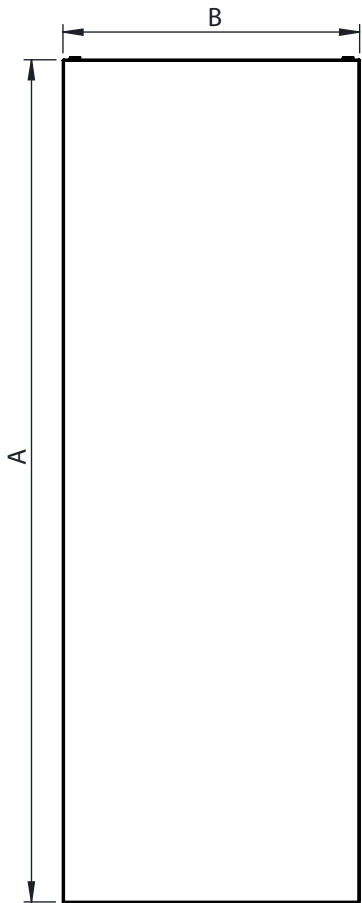


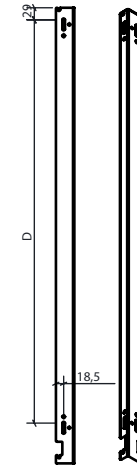
Fitting Instruction-Planar D

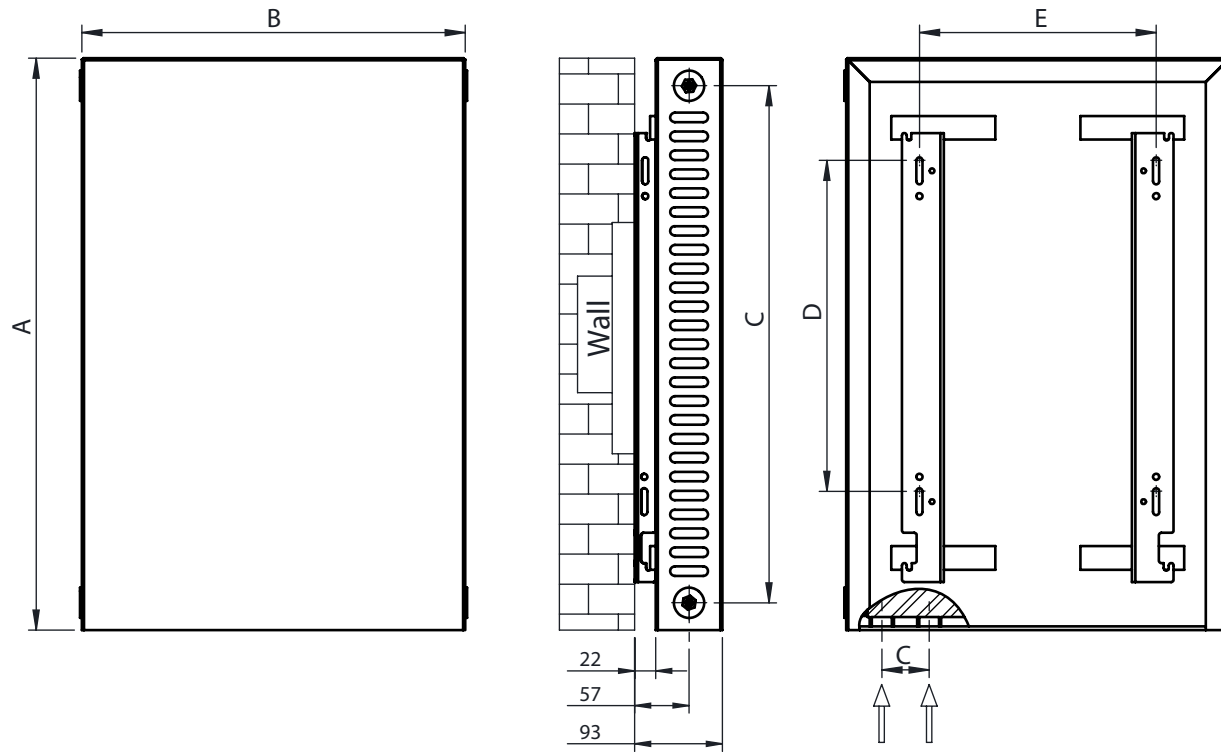
Code:01.28.030-00.01



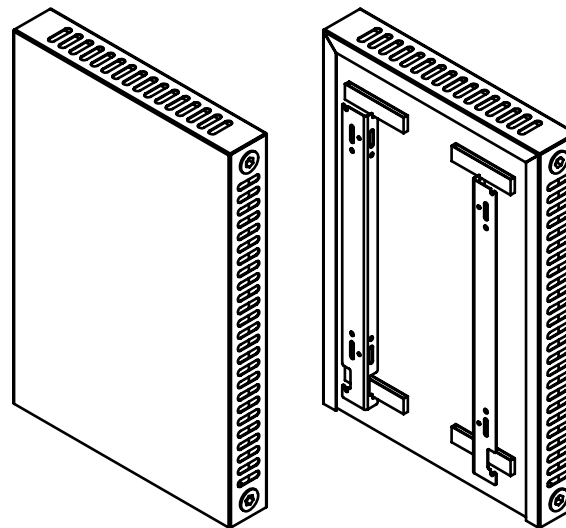
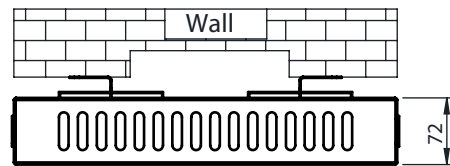
MODEL NAME	A	B	C1-C2	D	E	HEAT OUTPUTS	HEAT OUTPUTS
	HEIGHT mm	LENGTH mm	PIPE CENTER mm	VERTICAL BRACKET CENTERS mm	HORIZONTAL BRACKET CENTERS mm	(BTU) Delta T:50 °C	(Watt) Delta T:50 °C
PlanarD164v	1600	400	350-50	1050	250	5004	1465
PlanarD165v	1600	500	450-50	1050	350	6326	1852
PlanarD166v	1600	600	550-50	1050	450	7507	2198
PlanarD167v	1600	700	650-50	1050	550	8758	2564
PlanarD182v	1800	200	150-50	1050	145	2814	824
PlanarD183v	1800	300	250-50	1050	160	4222	1236
PlanarD184v	1800	400	350-50	1050	250	5629	1648
PlanarD185v	1800	500	450-50	1050	350	7036	2060
PlanarD186v	1800	600	550-50	1050	450	8447	2473
PlanarD187v	1800	700	650-50	1050	550	9854	2885
PlanarS185v	1800	500	450-50	1050	350	3231	946
PlanarS186v	1800	600	550-50	1050	450	3877	1135
PlanarS187v	1800	700	650-50	1050	550	4522	1324
PlanarD202v	2000	200	150-50	1050	145	3129	916
PlanarD203v	2000	300	250-50	1050	160	4693	1374
PlanarD204v	2000	400	350-50	1050	250	6257	1832
PlanarD205v	2000	500	450-50	1050	350	7818	2289
PlanarD206v	2000	600	550-50	1050	450	9383	2747
PlanarD207v	2000	700	650-50	1050	550	10947	3205
PlanarS204v	2000	400	350-50	1050	250	2873	841
PlanarS205v	2000	500	450-50	1050	350	3590	1051
PlanarS206v	2000	600	550-50	1050	450	4307	1261
PlanarS207v	2000	700	650-50	1050	550	5024	1471

Bracket Assembly





MODEL NAME	A	B	C	D	E	HEAT OUTPUTS (BTU)	HEAT OUTPUTS (Watt)
	HEIGHT mm	LENGTH mm	PIPE CENTER mm	VERTICAL BRACKET CENTERS mm	HORIZONTAL BRACKET CENTERS mm	Delta T:50 °C	Delta T:50 °C
PlanarD604h	600	400	490-50	350	250	1909	559
PlanarD605h	600	500	590-50	350	350	2388	699
PlanarD606h	600	600	690-50	350	450	2866	839
PlanarD607h	600	700	790-50	350	550	3344	979
PlanarD608h	600	800	890-50	350	650	3822	1119
PlanarD609h	600	900	990-50	350	750	4300	1259
PlanarD610h	600	1000	1090-50	350	850	4778	1399
PlanarD611h	600	1100	1190-50	350	950	5257	1539
PlanarD612h	600	1200	1290-50	350	1050	5731	1678
PlanarD614h	600	1400	1490-50	350	1250	6688	1958
PlanarD616h	600	1600	1690-50	350	1450	7644	2238
PlanarD618h	600	1800	1890-50	350	1650	8600	2518
PlanarD620h	600	2000	2090-50	350	1850	9553	2797



Bracket Assembly

