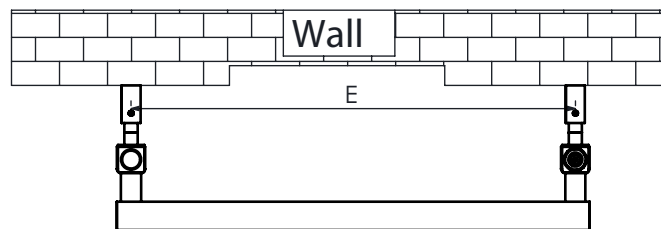
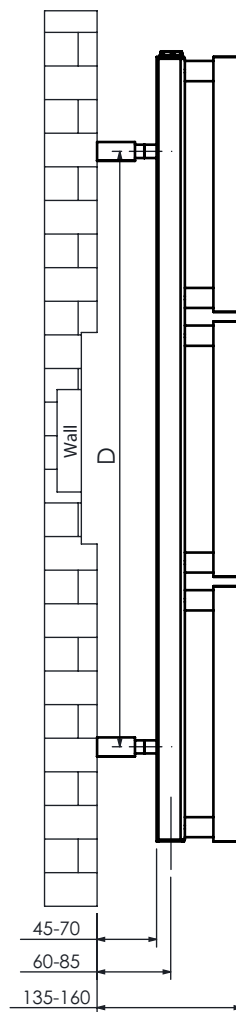
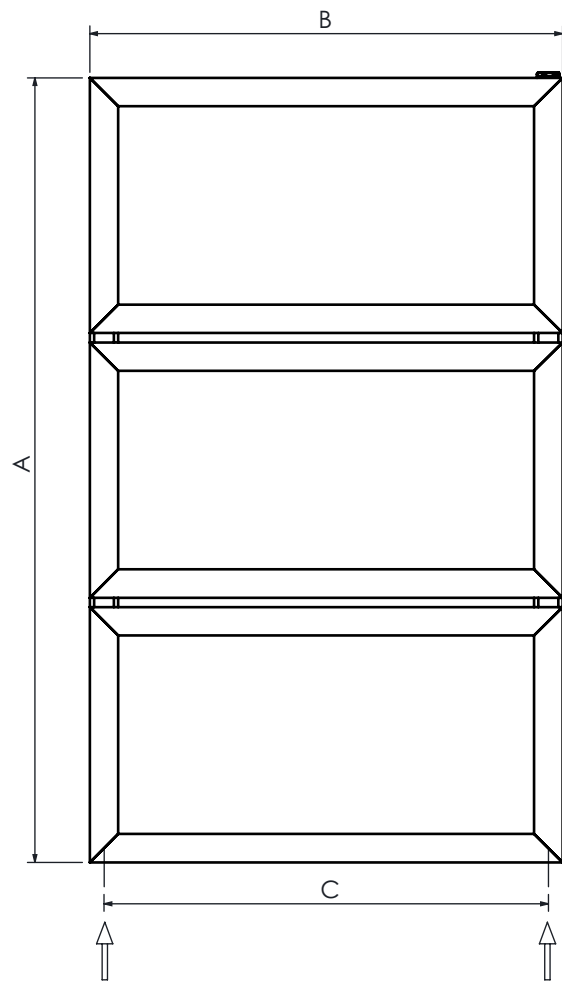
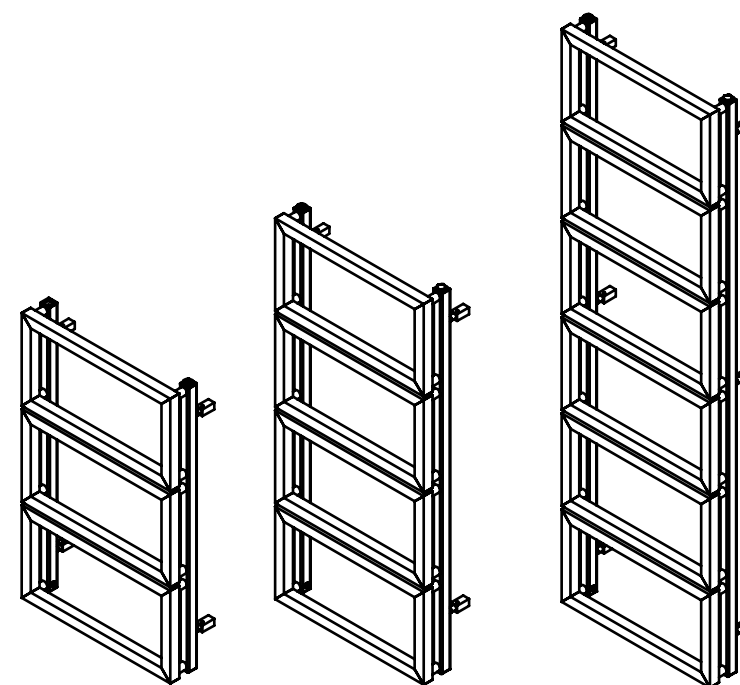


# Fitting Instruction-Pocket

Code: 01.40.001



MODEL NAME	A	B	C	D	E	HEAT OUTPUTS (BTU)	HEAT OUTPUTS (WATT)
	HEIGHT mm	LENGTH mm	PIPE CENTER mm	VERTICAL BRACKET CENTERS mm	HORIZONTAL BRACKET CENTERS mm	Delta T:50 °c	Delta T:50 °c
Pocket 5F8	830	500	470	630	470	1527	447
Pocket 5F11	1110	500	470	850	470	2012	589
Pocket 5F17	1670	500	470	730-730	470	3019	884



Bracket Assembly

