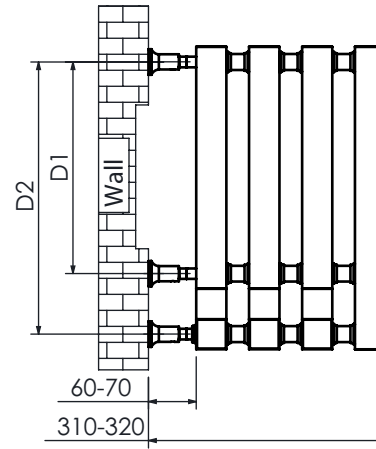
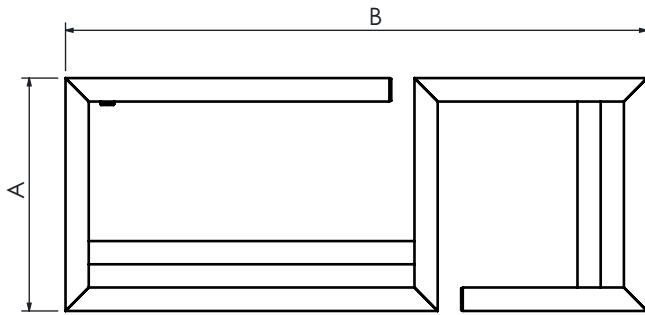
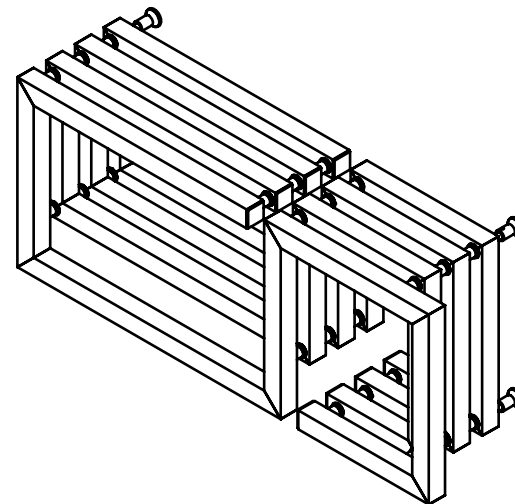
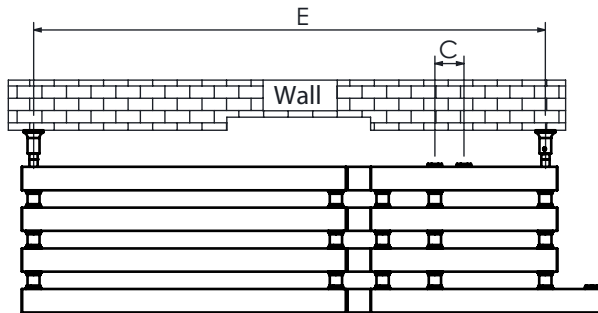


Fitting Instruction-Prestige

Code: 01.40.001-00.01



MODEL NAME	A	B	C	D1-D2	E	HEAT OUTPUTS	HEAT OUTPUTS
	HEIGHT mm	LENGTH mm	PIPE CENTER mm	VERTICAL BRACKET CENTERS mm	HORIZONTAL BRACKET CENTERS mm	(BTU) Delta T:50 °C	(WATT) Delta T:50 °C
Prestige 100	400	1000	50	280-360	880	3093	907
Prestige 130	500	1350	50	380-460	1230	3819	1120



Bracket Assembly

