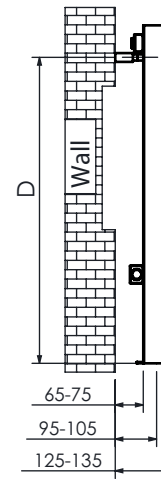
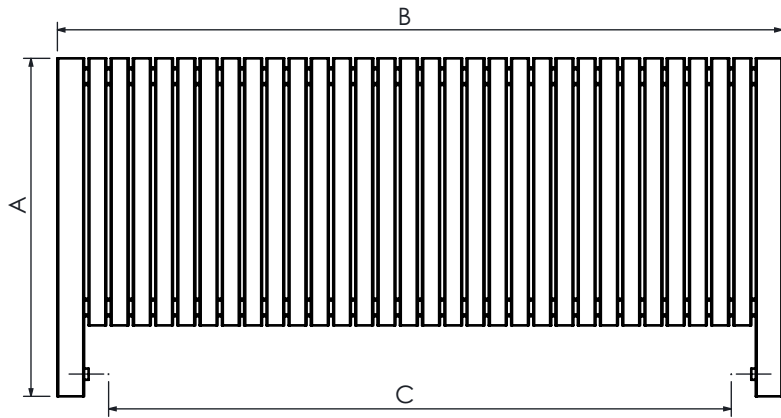
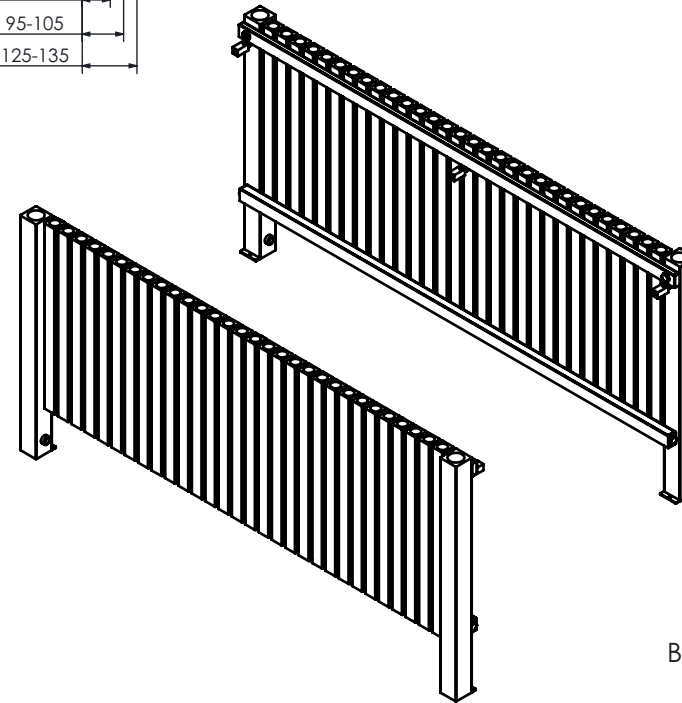
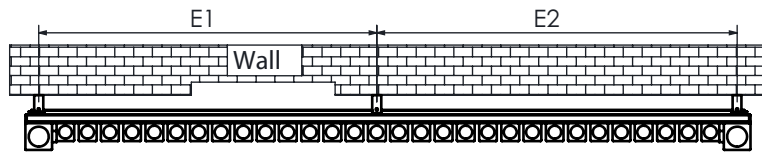


# Fitting Instruction-Preston L+3B

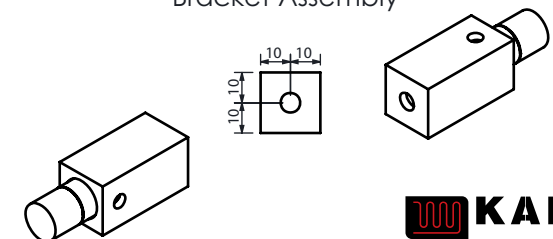
Code: 01.22.009-00.01

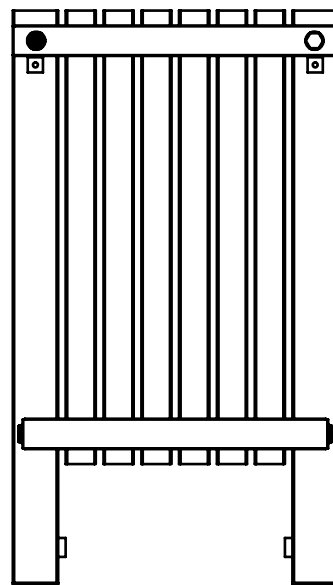
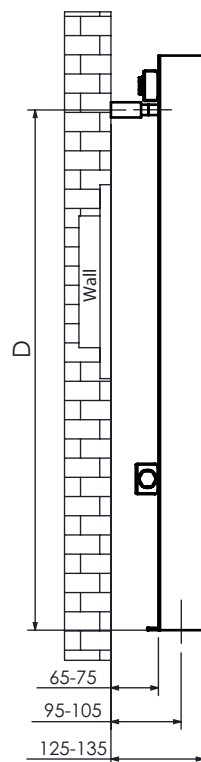
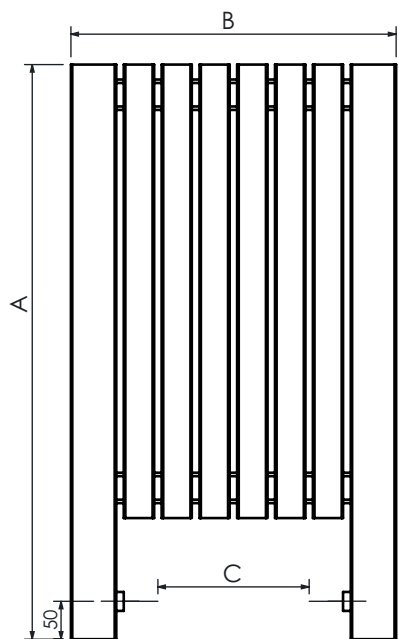


MODEL NAME	A HEIGHT mm	B LENGTH mm	C PIPE CENTER mm	D VERTICAL BRACKET CENTERS mm	E1-E2 HORIZONTAL BRACKET CENTERS mm	HEAT OUTPUTS (BTU) Delta T:50 °C	HEAT OUTPUTS (WATT) Delta T:50 °C
Preston L32-7660	760	1630	1400	688	760+810	10527	3082
Preston L36-7660	760	1830	1600	688	860+910	11825	3462
Preston L40-7660	760	2030	1800	688	960+1010	13123	3842

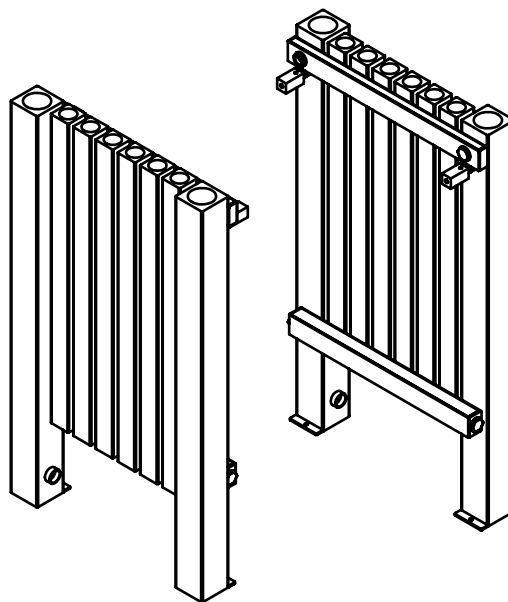
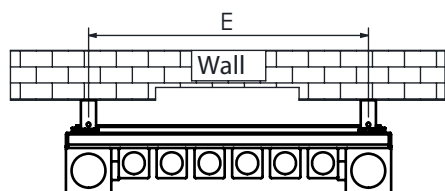


Bracket Assembly

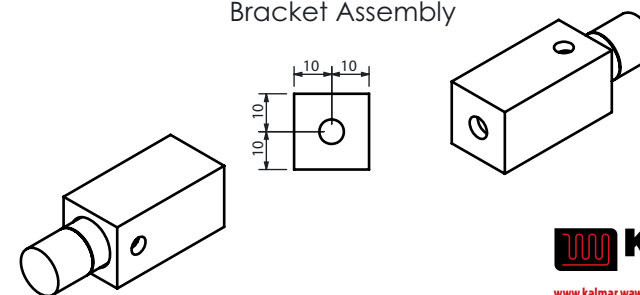




MODEL NAME	A	B	C	D	E	HEAT OUTPUTS (BTU)	HEAT OUTPUTS (WATT)
	HEIGHT mm	LENGTH mm	PIPE CENTER mm	VERTICAL BRACKET CENTERS mm	HORIZONTAL BRACKET CENTERS mm	Delta T:50 °C	Delta T:50 °C
Preston L8-7660	760	430	200	688	370	2739	802
Preston L10-7660	760	530	300	688	470	3388	992
Preston L12-7660	760	630	400	688	570	4037	1182
Preston L14-7660	760	730	500	688	670	4686	1372
Preston L16-7660	760	830	600	688	770	5335	1562
Preston L20-7660	760	1030	800	688	970	6633	1942
Preston L24-7660	760	1230	1000	688	1170	7931	2322
Preston L28-7660	760	1430	1200	688	1370	9229	2702

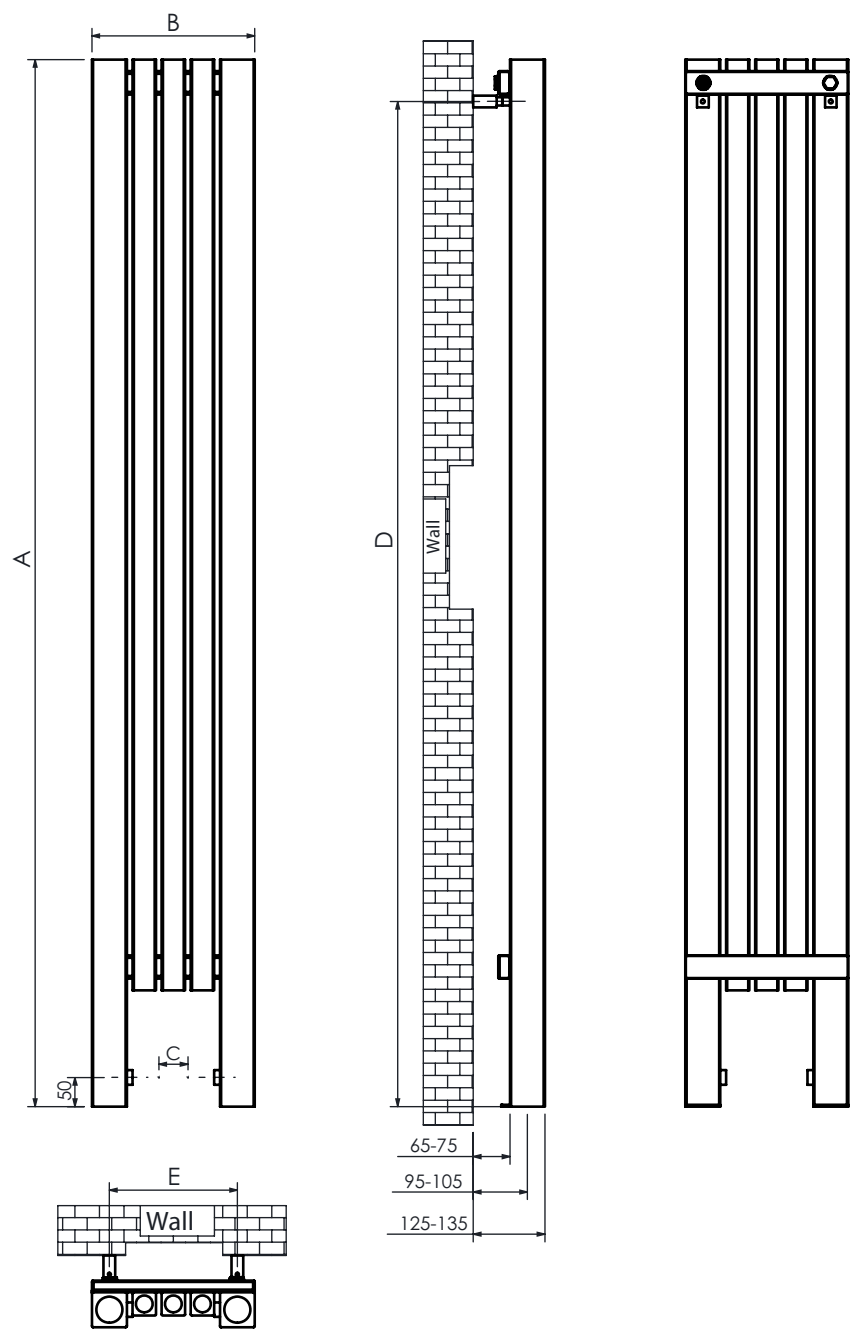


Bracket Assembly



# Fitting Instruction-PrestonLT

Code: 01.23.001-00.01



MODEL NAME	A HEIGHT mm	B LENGTH mm	C PIPE CENTER mm	D VERTICAL BRACKET CENTERS mm	E HORIZONTAL BRACKET CENTERS mm	HEAT OUTPUTS (BTU) Delta T:50 °C	HEAT OUTPUTS (WATT) Delta T:50 °C
Preston LT7-150130	1500	380	150	1428	320	5082	1488
Preston LT5-180160	1800	280	50	1728	220	4471	1309
Preston LT6-180160	1800	330	100	1728	270	5335	1562
Preston LT5-200180	2000	280	50	1928	220	5011	1467

