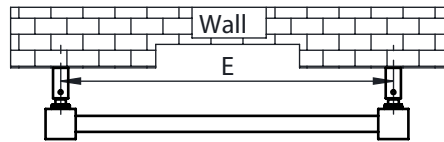
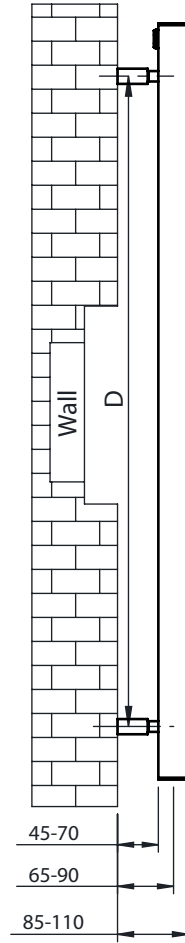
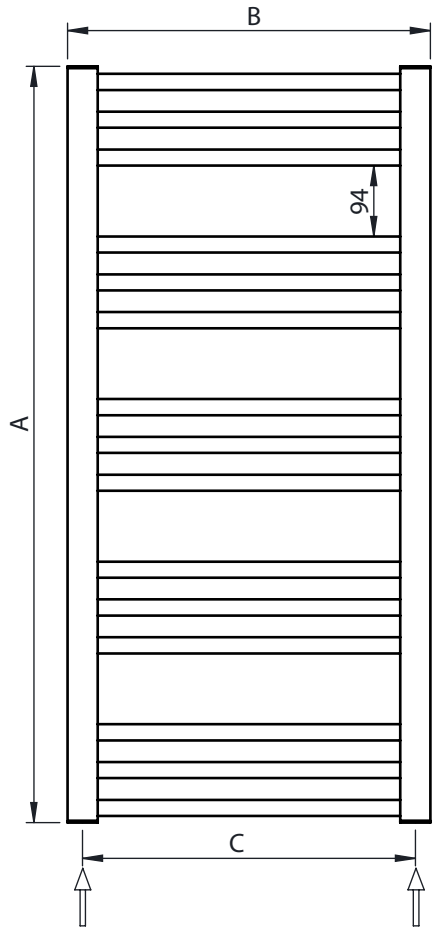
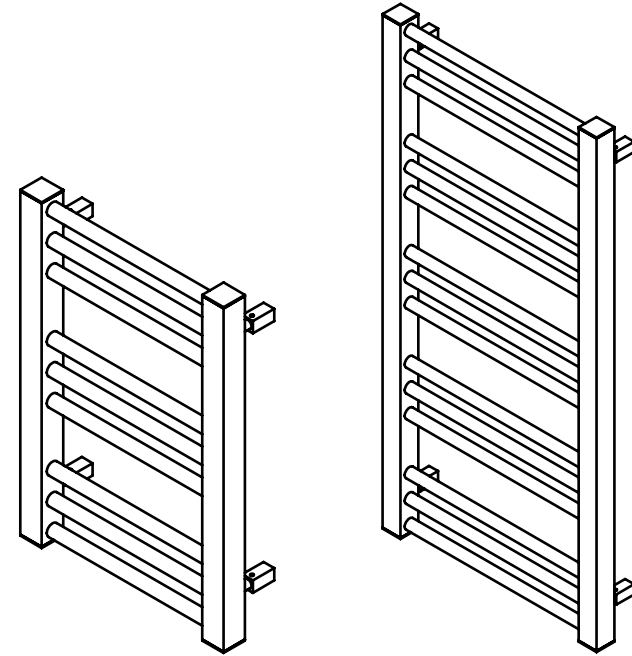


Fitting Instruction-Profit

Code:01.34.009-00.01



MODEL NAME	A HEIGHT mm	B LENGTH mm	C PIPE CENTER mm	D VERTICAL BRACKET CENTERS mm	E HORIZONTAL BRACKET CENTERS mm	HEAT OUTPUTS (BTU) Delta T:50 °C	HEAT OUTPUTS (WATT) Delta T:50 °C
Profit 64	560	380	340	420	340	502	147
Profit 105	1000	480	440	860	440	1018	298



Bracket Assembly

