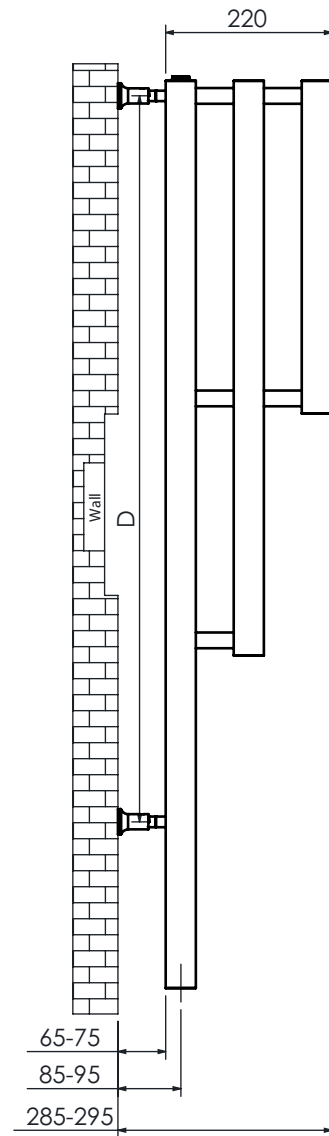
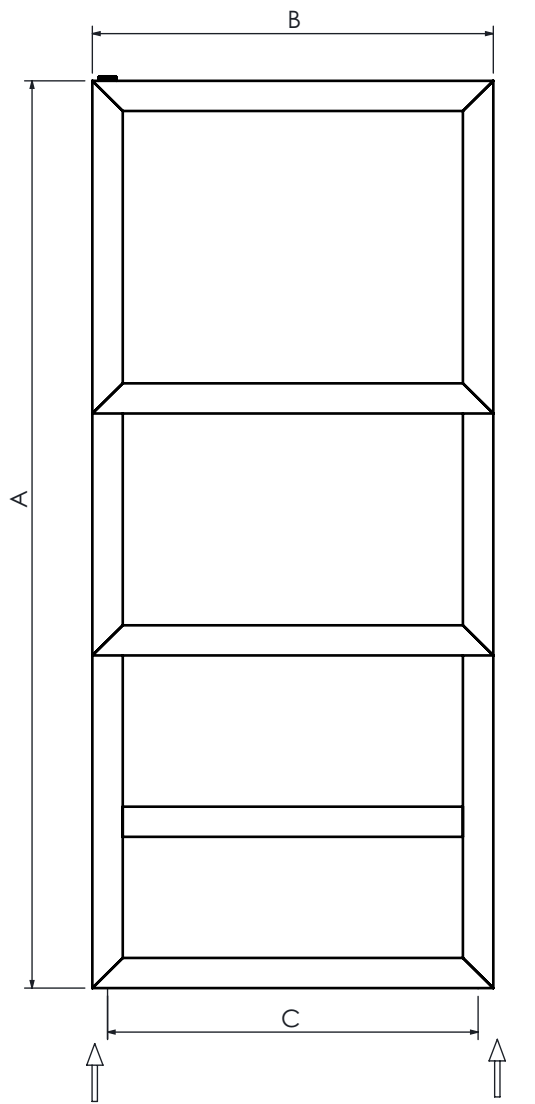
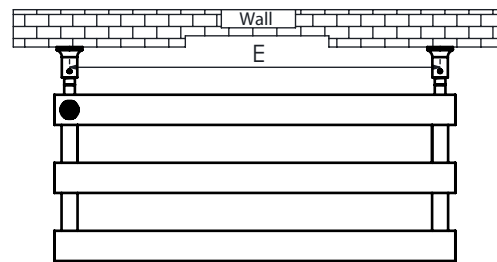
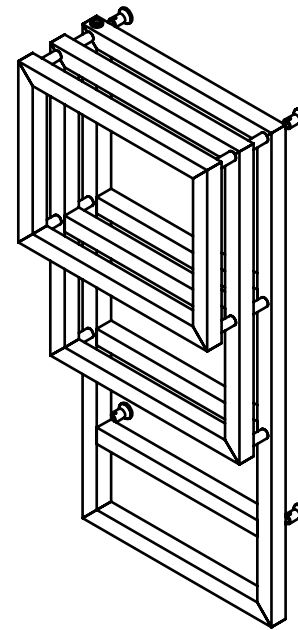


Fitting Instruction-Progres

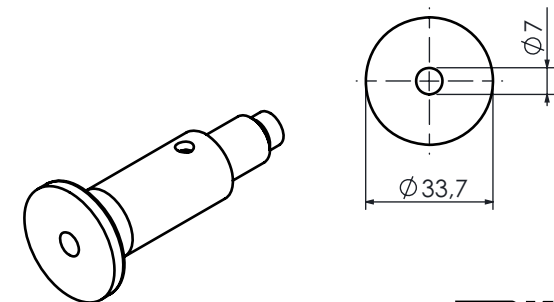
Code: 01.38.001



MODEL NAME	A	B	C	D	E	HEAT OUTPUTS (BTU)	HEAT OUTPUTS (WATT)
	HEIGHT mm	LENGTH mm	PIPE CENTER mm	VERTICAL BRACKET CENTERS mm	HORIZONTAL BRACKET CENTERS mm	Delta T:50 °C	Delta T:50 °C
Progres	1200	530	490	960	490	2148	630



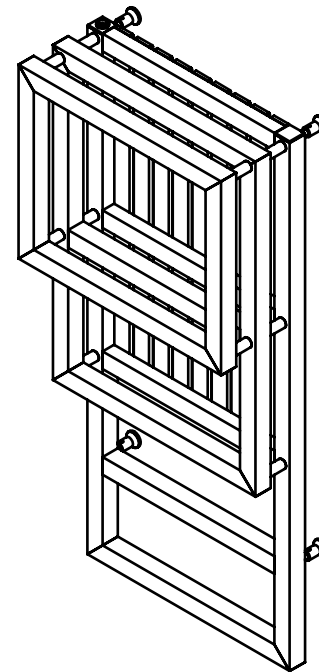
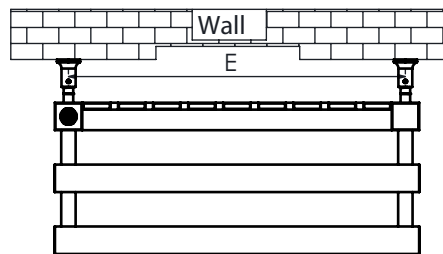
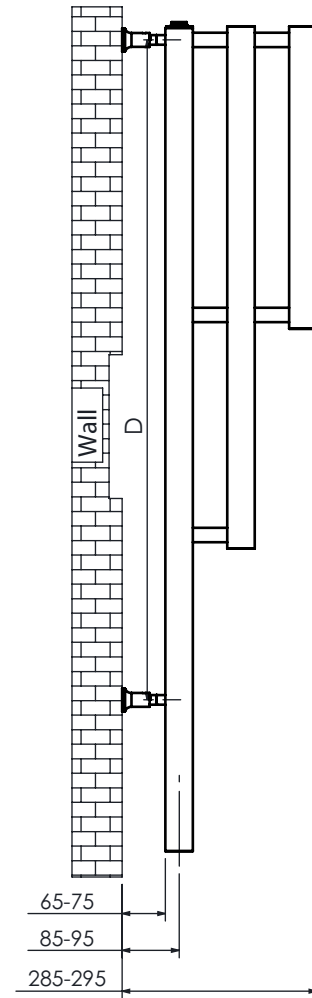
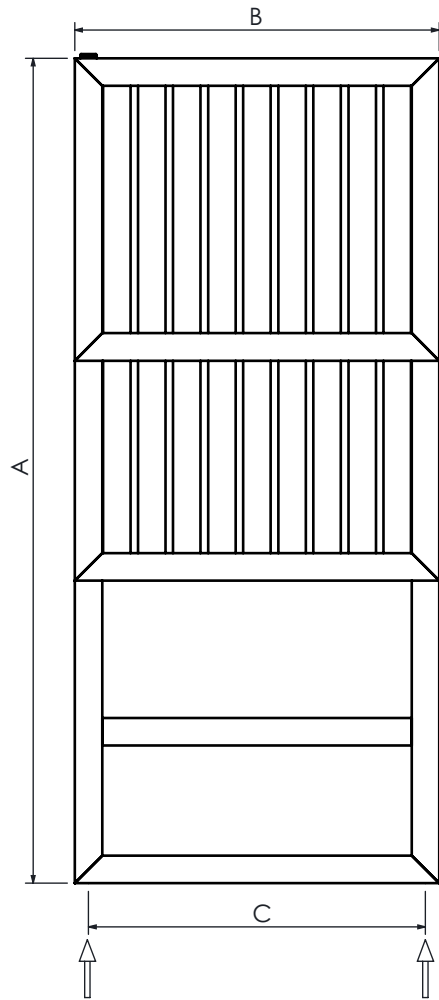
Bracket Assembly



Fitting Instruction-Progres-II

Code: 01.38.002

MODEL NAME	A HEIGHT mm	B LENGTH mm	C PIPE CENTER mm	D VERTICAL BRACKET CENTERS mm	E HORIZONTAL BRACKET CENTERS mm	HEAT OUTPUTS (BTU) Delta T:50 °C	HEAT OUTPUTS (WATT) Delta T:50 °C
Progres-Z	1200	530	490	960	490	4338	1272



Bracket Assembly

