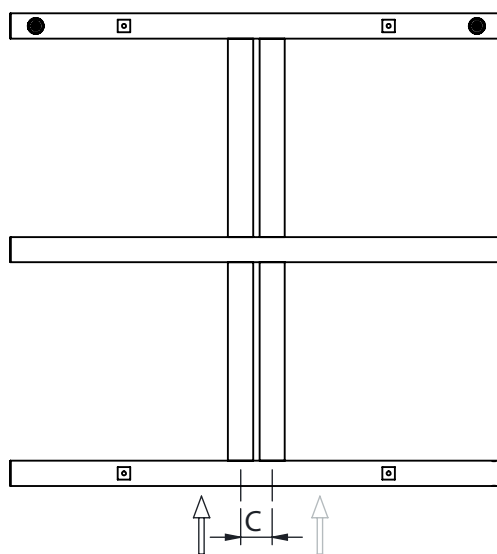
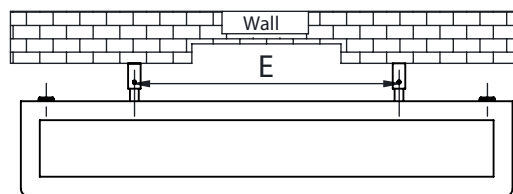
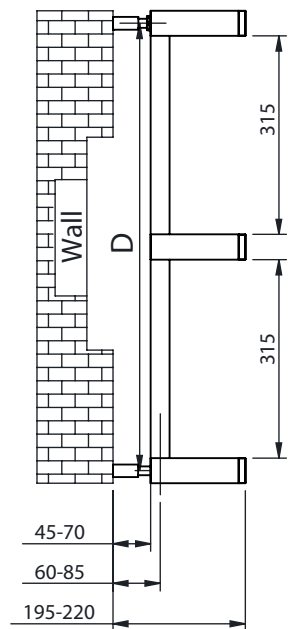
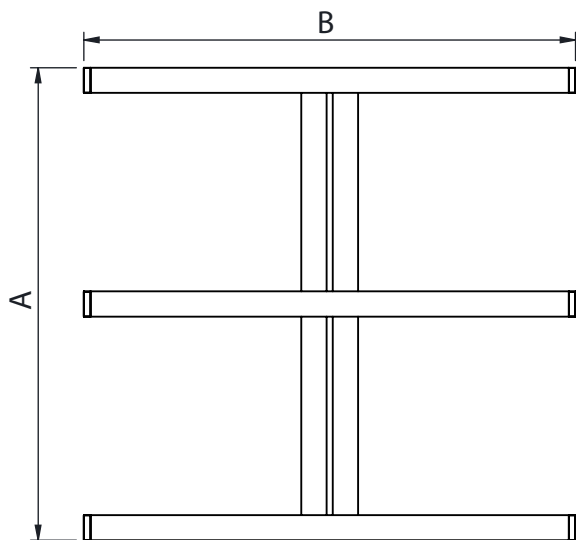
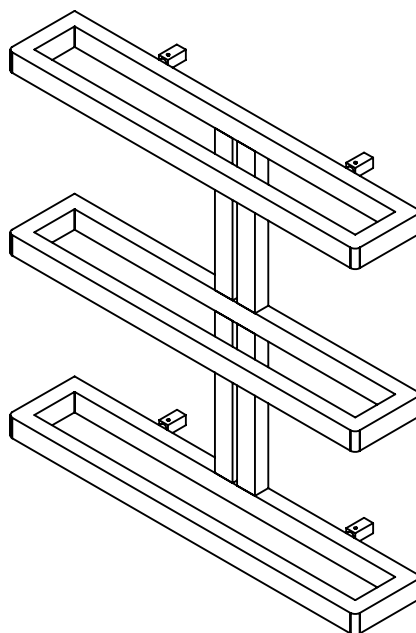


Fitting Instruction-Prosper

Code:01.18.001-00.01



MODEL NAME	A HEIGHT mm	B LENGTH mm	C PIPE CENTER mm	D VERTICAL BRACKET CENTERS mm	E HORIZONTAL BRACKET CENTERS mm	HEAT OUTPUTS (BTU) Delta T:50 °C	HEAT OUTPUTS (WATT) Delta T:50 °C
Prosper	750	780	50	710	420	2169	635



Bracket Assembly

