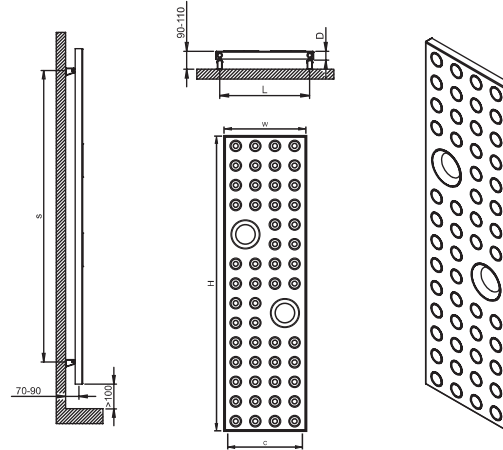


<b>material</b>	stainless steel steel
<b>finish</b>	satin polished
<b>electric version</b>	900 W
<b>wall installation</b>	vertical
<b>warranty</b>	5 years

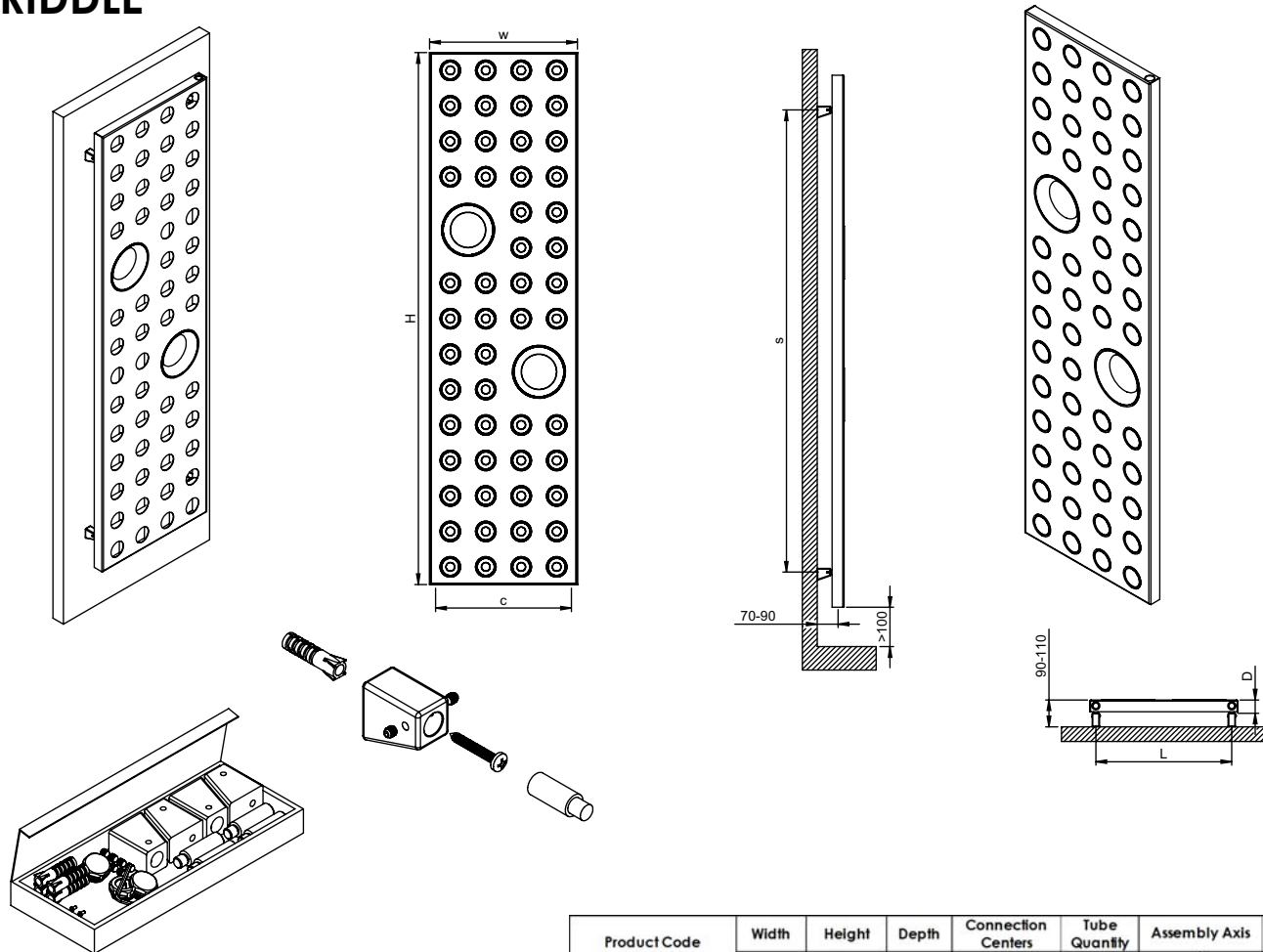
max. working pressure: 10 bar  
max. working temperature: 95°C  
all dimensions are in mm.  
connections 1/2"



**riddle**

Product Code	Width	Height	Depth	Connection Centers	Tube Quantity	Assembly Axis		Weight	Water Capacity	THERMAL POWER		
	W	H	D	C		S	L	kg.	lt.	btu	k/cal	watt
RID050018000009	500	1800	40	460	-	1565	460	32,5	10,6	3340	842	979

# RIDDLE



Product Code	Width	Height	Depth	Connection Centers	Tube Quantity	Assembly Axis		Weight	Water Capacity
	W	H	D	C		S	L	kg.	lit.
RID050018000009	500	1800	40	460	-	1565	460	33	11