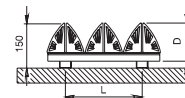
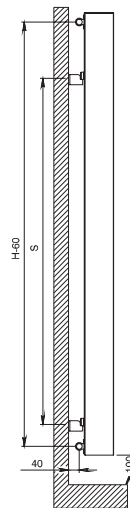
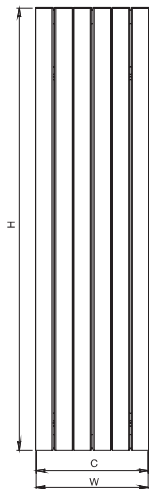
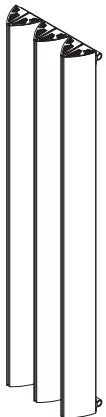




**spada**

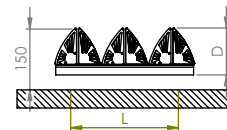
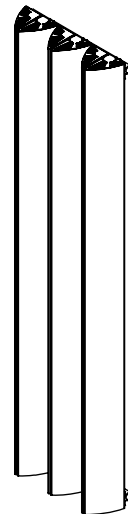
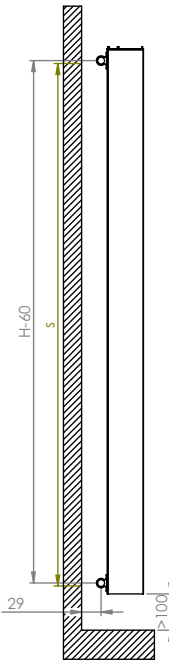
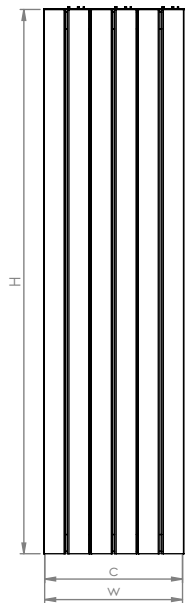
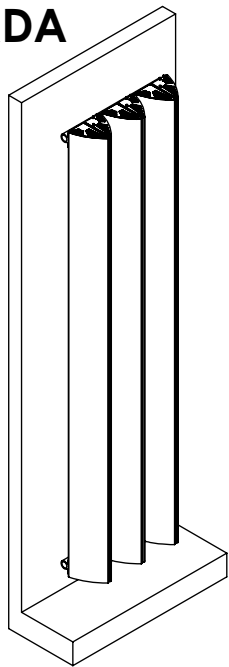







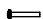
material	finish	electric version	wall installation	warranty
aluminium	anodized	not available	vertical horizontal	5 years

max. working pressure: 5 bar  
max. working temperature: 95°C  
all dimensions are in mm.  
connections 1/2"

Product Code	Width	Height	Depth	Connection Centers	Tube Quantity	Assembly Axis		Weight	Water Capacity	THERMAL POWER (Anodized)		
	W	H	D	C		S	L	kg.	lt.	btu	k/cal	watt
SPA0255150004	255	1500	130	255	4	1075	130	14,8	1,8	4323	1089	1266
SPA0255180004	255	1800	130	255	4	1375	130	17,7	2,2	5187	1306	1519
SPA0385150006	385	1500	130	385	6	1075	260	22,3	2,7	5870	1478	1719
SPA0385180006	385	1800	130	385	6	1375	260	26,6	3,2	7786	1961	2280
SPA0515150008	515	1500	130	515	8	1075	390	29,7	3,6	8650	2178	2533
SPA0515180009	515	1800	130	515	8	1375	390	35,4	4,3	10382	2614	3040

# SPADA



-  x1 pcs Airvent
  -  x 1 Blind Tape
  -  x 4 Bracket Left
  -  x 4 Bracket Right
  -  x 4 Plug
  -  x 4 Screw
- Flow 1/2" → Radiator

← Return 1/2"

Flow 1/2" → Radiator

← Return 1/2"

Flow 1/2" → Radiator

← Return 1/2"

Product Code	Width	Height	Depth	Connection Centers	Tube Quantity	Assembly Axis		Weight	Water Capacity
	W	H	D	C	S	L	kg.	lit.	
SPA0255150004	255	1500	130	255	4	1075	130	15	1.8
SPA0255180004	255	1800	130	255	4	1375	130	18	2.2
SPA0385150006	385	1500	130	385	6	1075	260	22	2.7
SPA0385180006	385	1800	130	385	6	1375	260	27	3.2
SPA0515150008	515	1500	130	515	8	1075	390	30	3.6
SPA0515180009	515	1800	130	515	8	1375	390	35	4.3