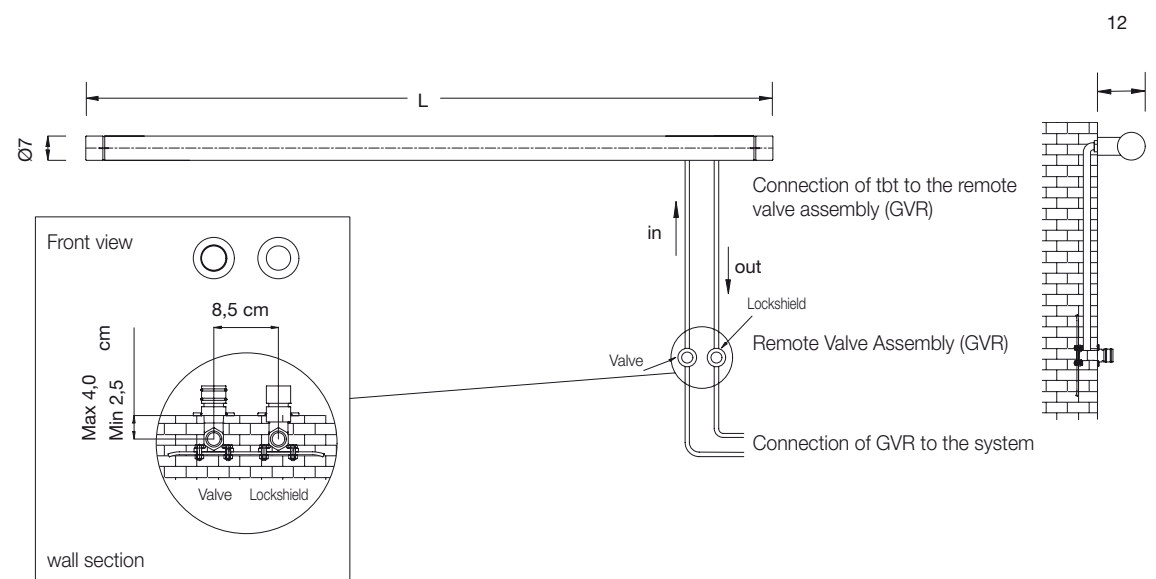
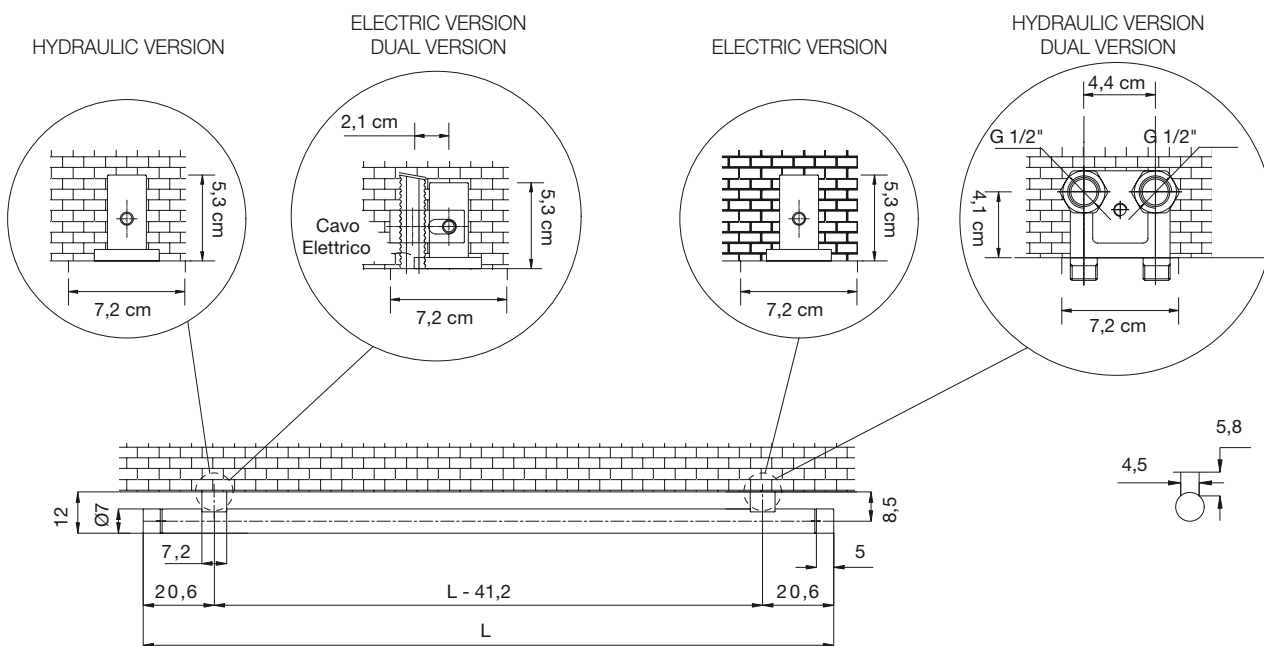
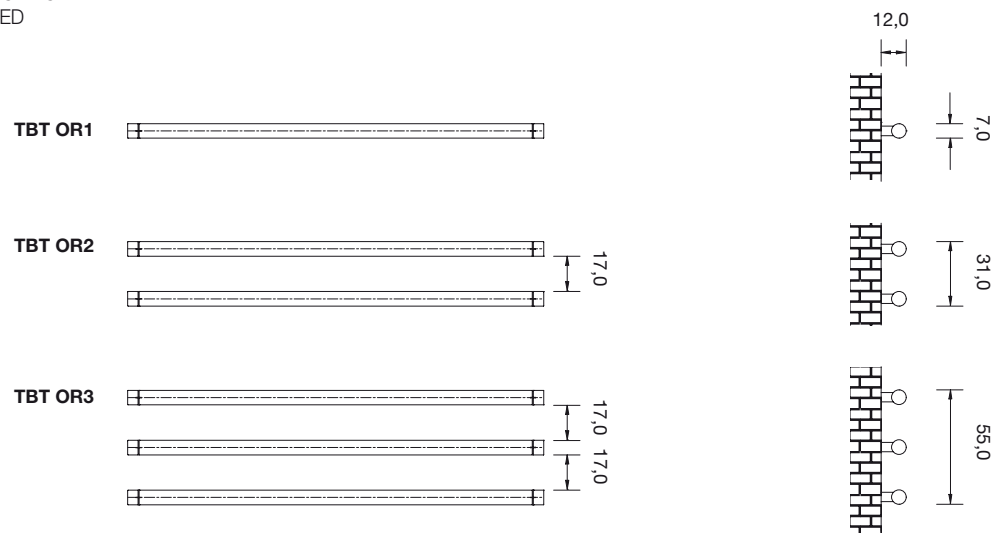


Kalmar tbt horizontal

VERSIONS AVAILABLE

- WATER
- ELECTRIC
- MIXED



Kalmar tbt horizontal



Watt = Kcal/h ÷ 0,860
Kcal/h = Watt x 0,860

The full price of the required TBT is calculated by summing the price of the external part (external TBT), the corresponding recessed part (recessed TBT) and the price of only one Remote Valve Assembly (GVR). VAT and transport costs are not included

PRICE ONLY FOR THE EXTERNAL PART (TBT external) Includes the external TBT and everything required for installation to the recessed part (see below).

	Model	L (cm)	Watts ΔT 50°C Coloured version	Watts ΔT 50°C Chrome plated version	HYDRAULIC VERSION		ELECTRIC VERSION		DUAL VERSION	
					Coloured version	Chrome plated version	Coloured version	Chrome plated version	Coloured version	Chrome plated version
SINGLE	TBT#200OR1	200	199	127						
	TBT#180OR1	180	186	114						
	TBT#150OR1	150	151	95						
	TBT#120OR1	120	127	76						
DOUBLE	TBT#200OR2	200	398	254						
	TBT#180OR2	180	372	228						
	TBT#150OR2	150	302	190						
	TBT#120OR2	120	254	152						
TRIPLE	TBT#200OR3	200	597	381						
	TBT#180OR3	180	558	342						
	TBT#150OR3	150	453	285						
	TBT#120OR3	120	381	228						

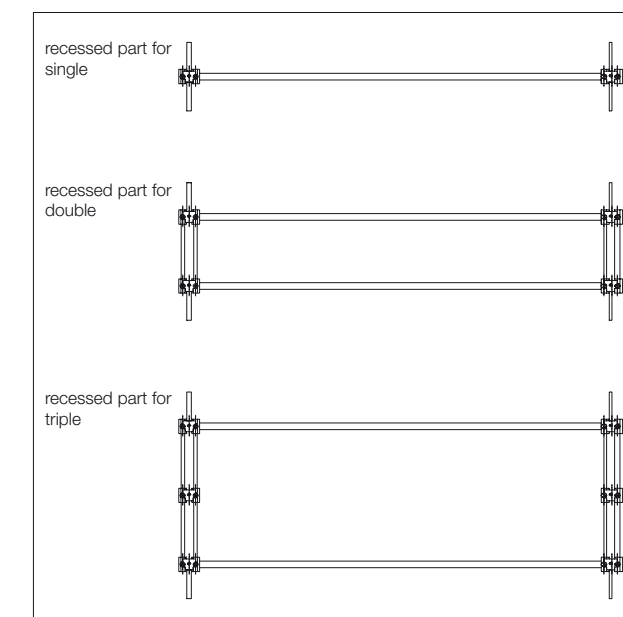
PRICE ONLY FOR THE RECESSED PART (TBT recess) It includes the wall recessed part for connection to the Remote Valve Assembly and the support of the external part of TBT.

	Model	HYDRAULIC VERSION	ELECTRIC VERSION	DUAL VERSION
SINGLE	INCTBT#...			
DOUBLE	INCTBT#...			
TRIPLE	INCTBT#...			

remote connection valve assembly Includes the complete Valve and Lockshield assembly for remote connection (GVR), can be installed up to a maximum distance of 6 metres from the radiator.

Code	Description	Chrome plated G0
GVR	RECESSED valve and lockshield assembly for remote connection	
The external finish of the GVR is only Glossy Chrome-plated		

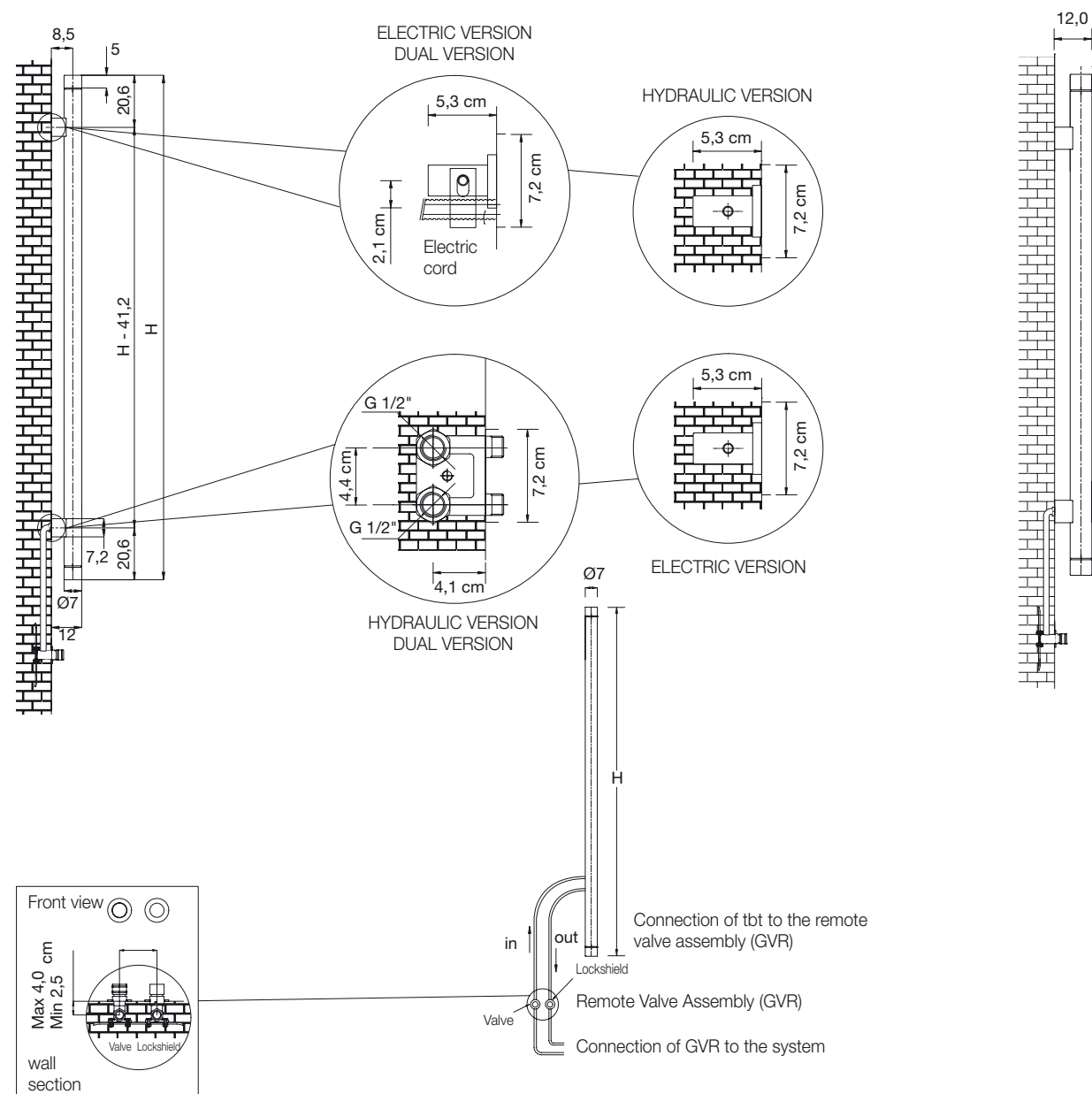
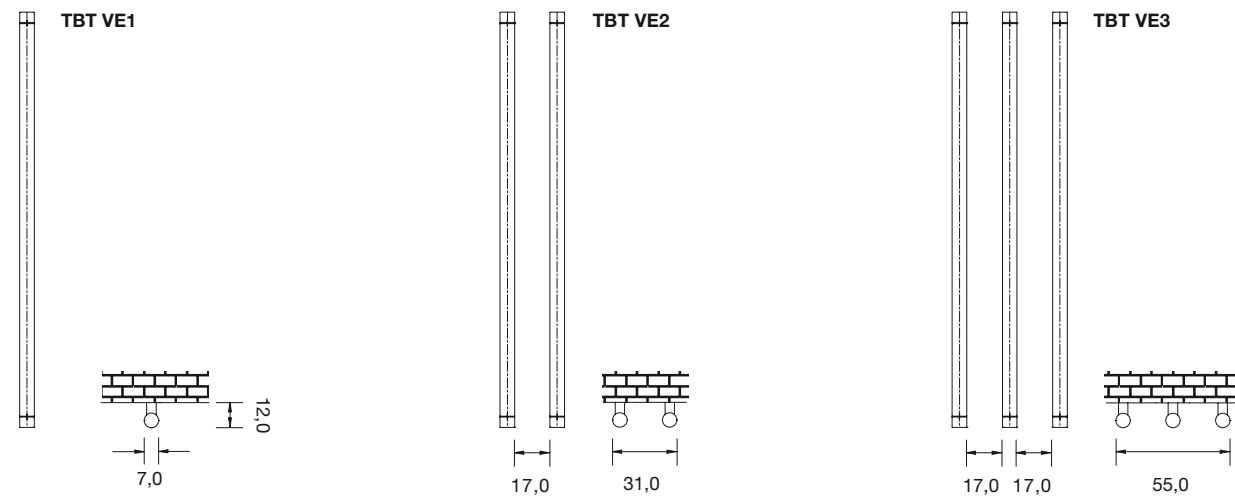
LAYOUT OF RECESSED PART



Kalmar tbt vertical

VERSIONS AVAILABLE

- WATER
- ELECTRIC
- MIXED



tbt vertical



Watt = Kcal/h ÷ 0,860
Kcal/h = Watt x 0,860

The full price of the required TBT is calculated by summing the price of the external part (external TBT), the corresponding recessed part (recessed TBT) and the price of only one Remote Valve Assembly (GVR), VAT and transport costs are not included

PRICE ONLY FOR THE EXTERNAL PART (TBT external) Includes the external TBT and everything required for installation to the recessed part (see below).

	Model	H (cm)	Watts ΔT 50°C Coloured version	Watts ΔT 50°C Chrome plated version	HYDRAULIC VERSION		ELECTRIC VERSION		DUAL VERSION	
					Coloured version	Chrome plated version	Coloured version	Chrome plated version	Coloured version	Chrome plated version
SINGLE	TBT#200VE1	200	193	118						
	TBT#180VE1	180	172	106						
	TBT#150VE1	150	149	88						
	TBT#120VE1	120	115	71						
DOUBLE	TBT#200VE2	200	386	236						
	TBT#180VE2	180	344	212						
	TBT#120VE2	120	230	142						
TRIPLE	TBT#200VE3	200	579	354						
	TBT#180VE3	180	516	318						
	TBT#120VE3	120	345	213						

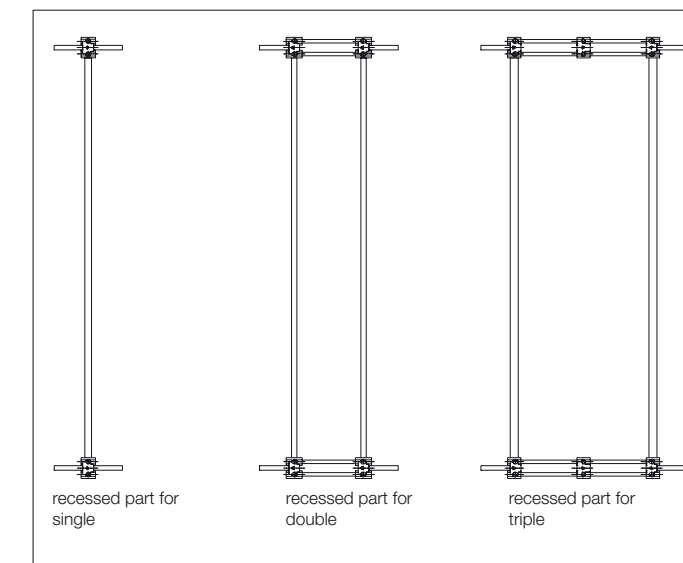
PRICE ONLY FOR THE RECESSED PART (TBT recess) It includes the wall recessed part for connection to the Remote Valve Assembly and the support of the external part of TBT.

Model		HYDRAULIC VERSION	ELECTRIC VERSION	DUAL VERSION
SINGLE	INCTBT#...			
DOUBLE	INCTBT#...			
TRIPLE	INCTBT#...			

remote connection valve assembly Includes the complete Valve and Lockshield assembly for remote connection (GVR), can be installed up to a maximum distance of 6 metres from the radiator.

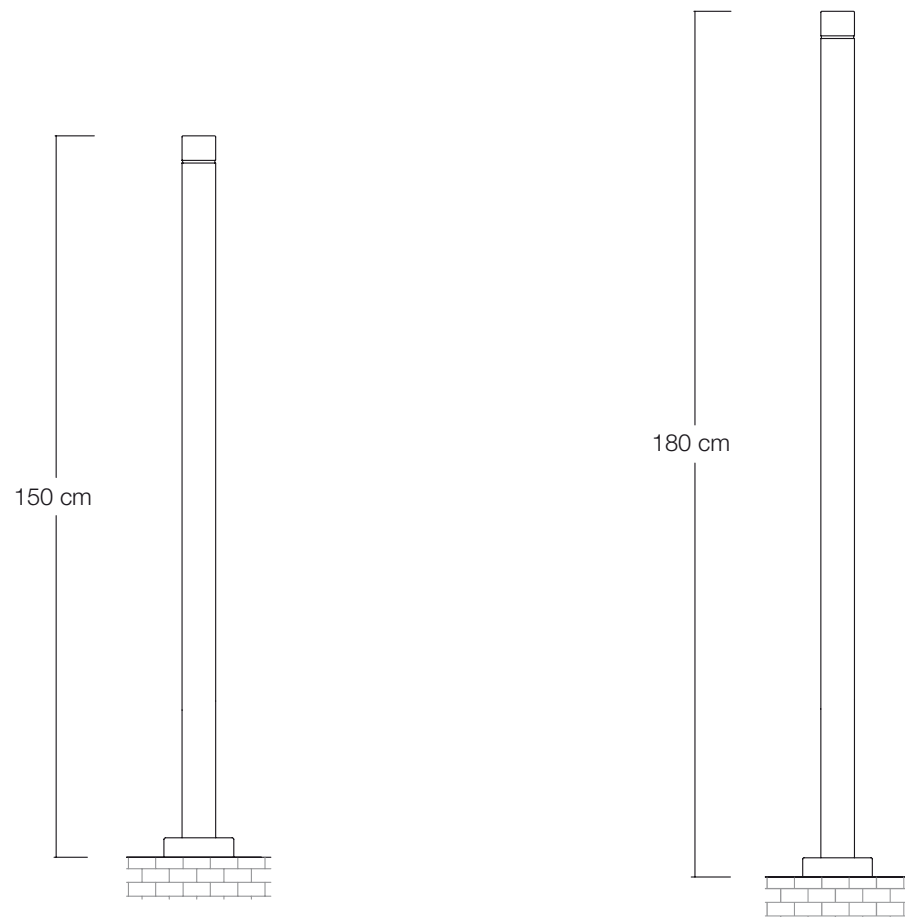
Code	Description	Chrome plated G0
GVR	RECESSED valve and lockshield assembly for remote connection	
The external finish of the GVR is only Glossy Chrome-plated		

LAYOUT OF RECESSED PART



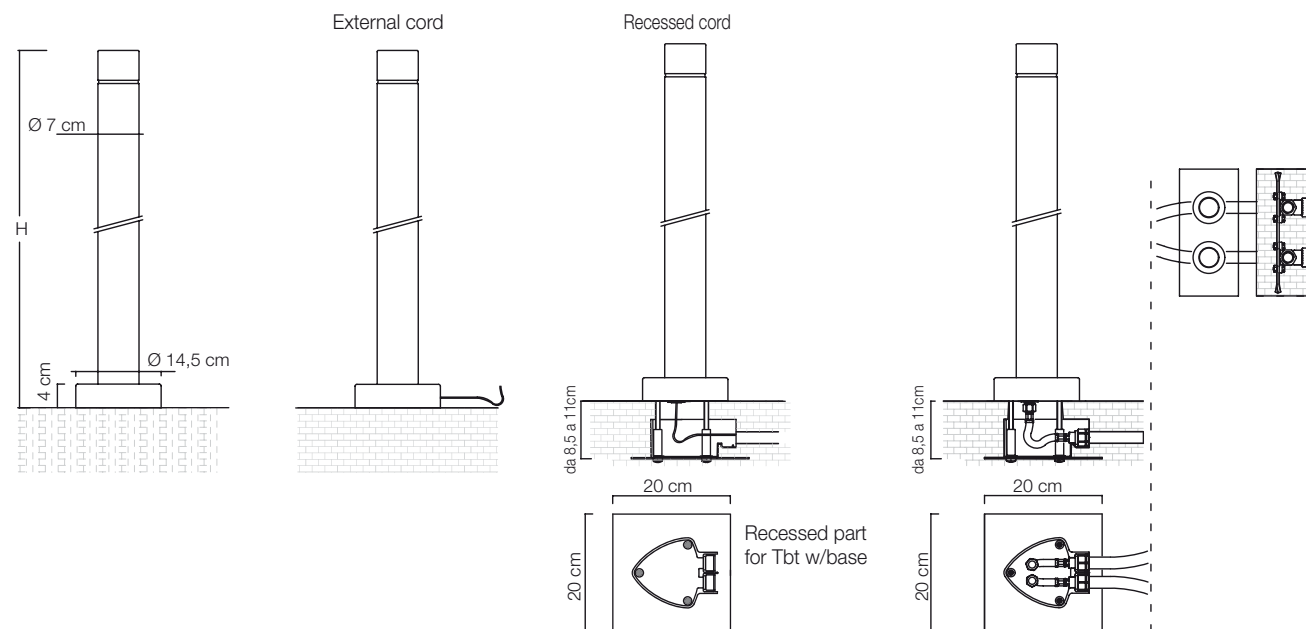
Kalmar tbt from the floor

VERSIONS AVAILABLE
- WATER
- ELECTRIC



ELECTRIC VERSION

HYDRAULIC VERSION



Kalmar tbt from the floor



Watt = Kcal/h ÷ 0,860
Kcal/h = Watt x 0,860

The prices listed not include VAT and transport costs.

FLOOR version **WATER operating**

Model	H (cm)	L (cm)	Watts ΔT 50°C Coloured version	Watts ΔT 50°C Chrome plated version	Coloured version	Chrome plated version
TBT150	150	14,5	149	88		
TBT180	180	14,5	172	106		

FLOOR version **ELECTRIC operating with external cord**

Model	H (cm)	L (cm)	Watts ΔT 50°C Coloured version	Watts ΔT 50°C Chrome plated version	Coloured version	Chrome plated version
TBT150	150	14,5	149	88		
TBT180	180	14,5	172	106		

FLOOR version **ELECTRIC operating with RECESSED CORD**

Model	H (cm)	L (cm)	Watts ΔT 50°C Coloured version	Watts ΔT 50°C Chrome plated version	Coloured version	Chrome plated version
TBT150	150	14,5	149	88		
TBT180	180	14,5	172	106		

PRICE ONLY FOR THE RECESSED PART (TBT recess)

Includes the floor recessed part for connection to the Remote Valve Assembly and the support of the external part of TBT.

Model	HYDRAULIC VERSION	ELECTRIC VERSION HIDDEN WIRE
SINGLE INCTBTPA#...		

remote connection valve assembly

Includes the complete Valve and Lockshield assembly for remote connection (GVR), can be installed up to a maximum distance of 6 metres from the radiator.

Code	Description	Chrome plated G0
GVR	RECESSED valve and lockshield assembly for remote connection	
The external finish of the GVR is only Glossy Chrome-plated		