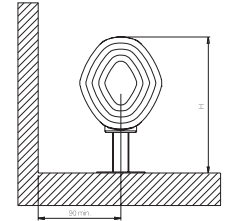
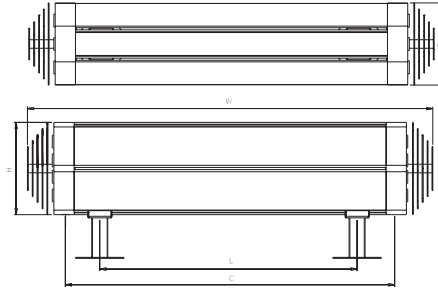
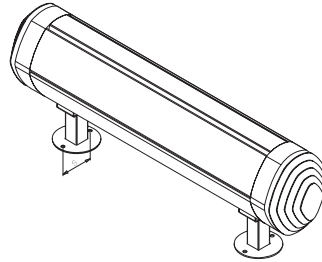




torpedo

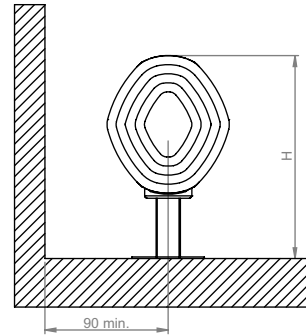
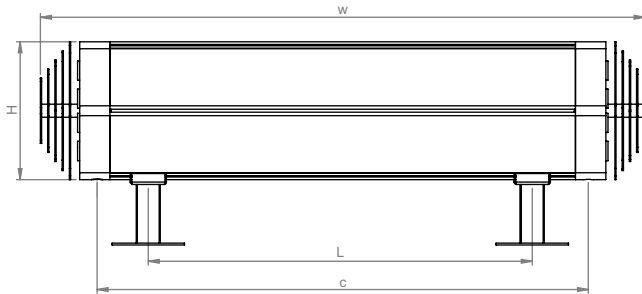
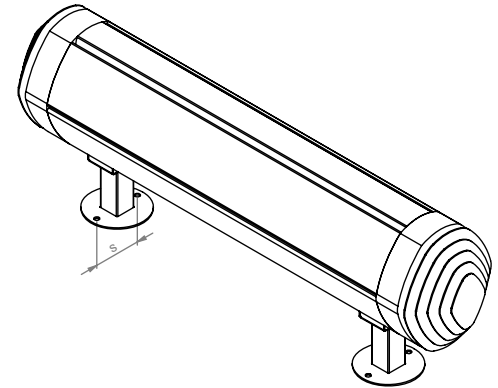


material	finish	electric version	wall installation	warranty
stainless steel aluminium	anodized	not available	floor standing	5 years

max. working pressure: 8 bar
max. working temperature: 95°C
all dimensions are in mm.
connections 1/2"

Product Code	Width	Height	Depth	Connection Centers	Tube Quantity	Assembly Axis		Weight	Water Capacity	THERMAL POWER		
	W	H	D	C		S	L	kg.	lt.	btu	k/cal	watt
TRP1000033006	1000	330	200	810	6	-	95	26,1	4,7	3978	1002	1166
TRP1500033006	1500	330	200	1310	6	-	95	33,6	5,5	5614	1415	1645

TORPEDO



Product Code	Width	Height	Depth	Connection Centers	Tube Quantity	Assembly Axis		Weight	Water Capacity
	W	H	D	C		S	L	kg.	lt.
TRP1000033006	1000	330	200	810	6	95	635	26.1	4.7
TRP1500033006	1500	330	200	1310	6	95	1135	33.6	5.5