

VALENCIA

Height: 750

Width: 475

Depth: 105

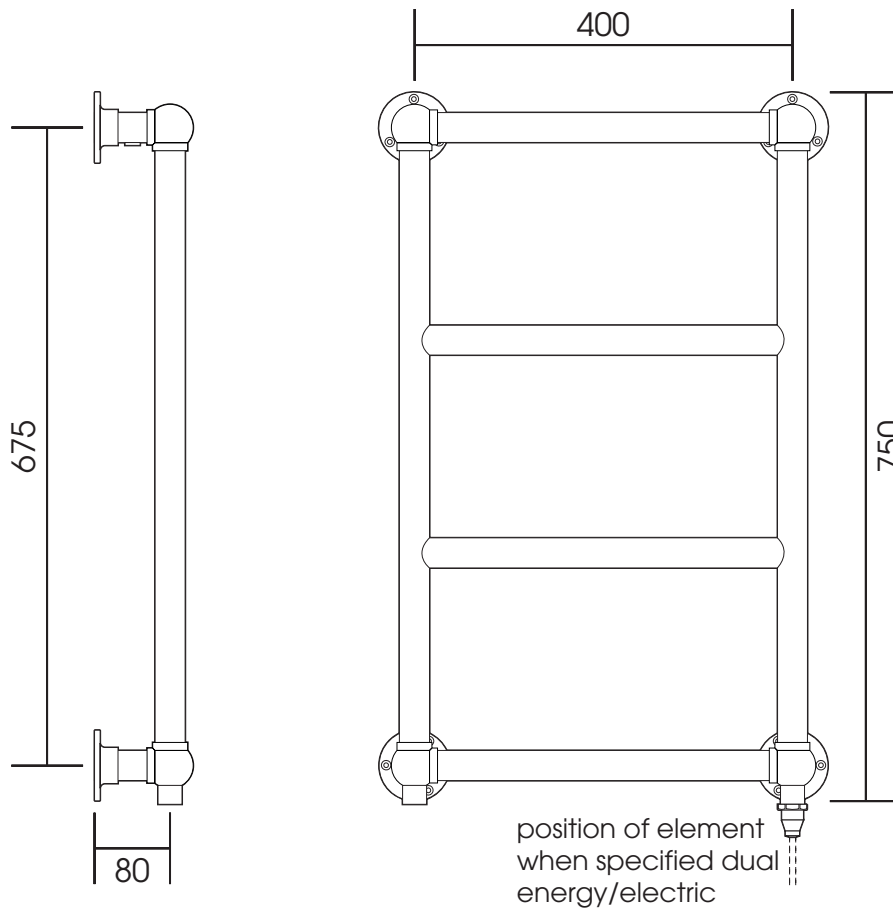
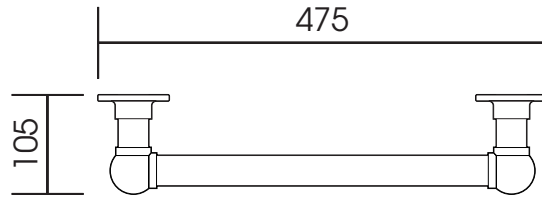
Tube \varnothing : 31.8

Output @ 50°C Δ T: 169 W

Electric element: 100 W

All dimensions in millimetres

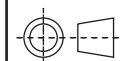
Manufactured from ISO/CEN CuZn30As (BS CZ126) brass tube



KALMAR
ciepło na miarę

www.kalmar.waw.pl

We reserve the right to alter specifications without prior notice.
All measurements given are nominal dimensions only.



SCALE 1:8