

# VANESSA A

Height: 900

Tube  $\varnothing$ : 25.4

Width: 650

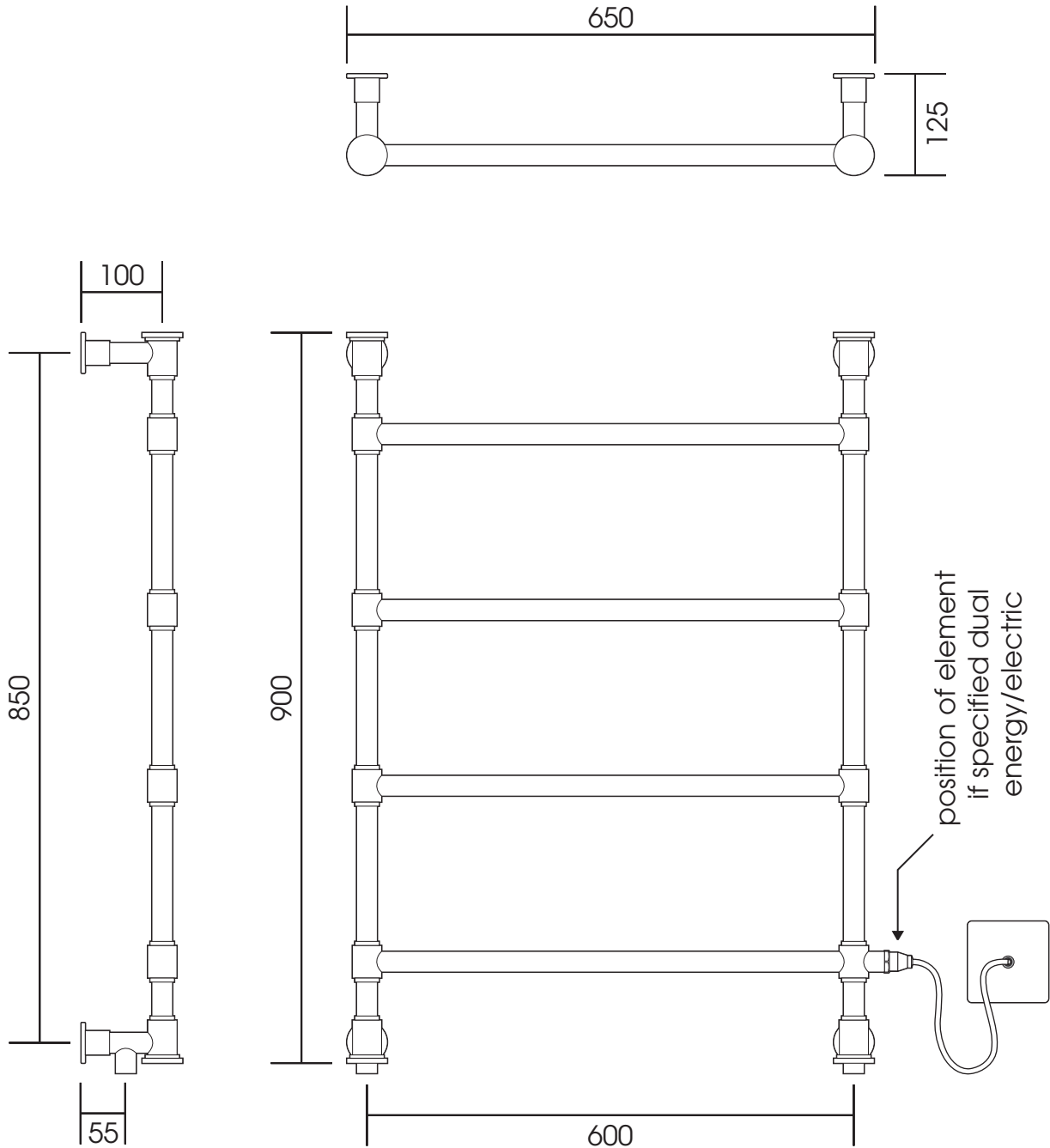
Output @ 50°C $\Delta$ T: 213 W

Depth: 125

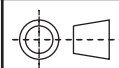
Elec. element when specified: 125 W

All dimensions in millimetres

Manufactured from ISO/CEN CuZn30As (BS CZ126) brass tube



We reserve the right to alter specifications without prior notice.  
All measurements given are nominal dimensions only.



SCALE 1:8

# VANESSA B

Height: 1200

Tube  $\varnothing$ : 25.4

Width: 550

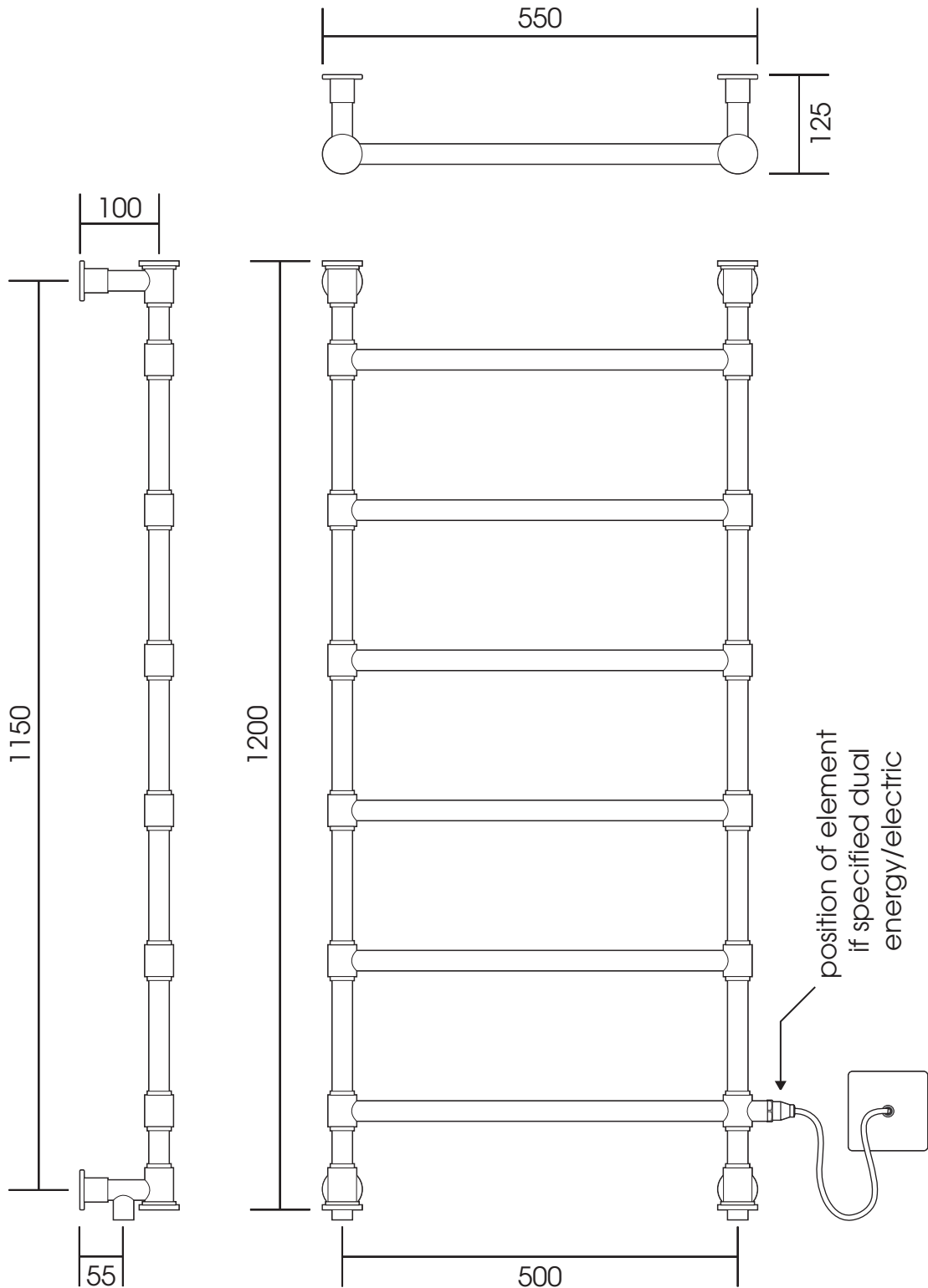
Output @ 50°C $\Delta$ T: 271 W

Depth: 125

Elec. element when specified: 150 W

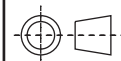
All dimensions in millimetres

Manufactured from ISO/CEN CuZn30As (BS CZ126) brass tube



**KALMAR**  
ciepło na miarę  
www.kalmar.waw.pl

We reserve the right to alter specifications without prior notice.  
All measurements given are nominal dimensions only.



SCALE 1:8

# VANESSA C

Height: 1800

Tube  $\varnothing$ : 25.4

Width: 550

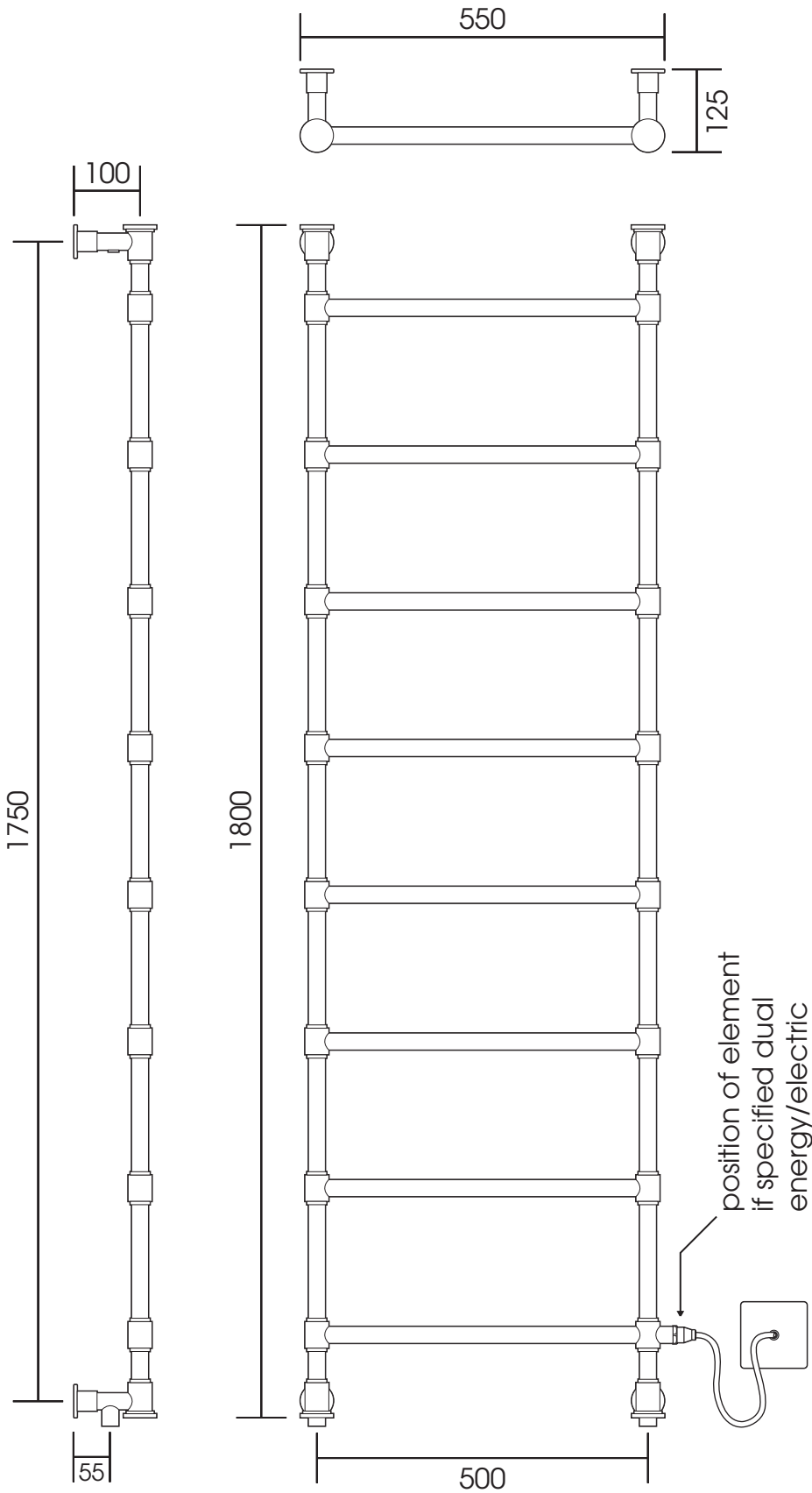
Output @ 50°C $\Delta$ T: 423 W

Depth: 125

Elec. element when specified: 200 W

Manufactured from ISO/CEN CuZn30As (BS CZ126) brass tube

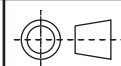
All dimensions in millimetres



**KALMAR**  
cieplo na miarę

www.kalmar.waw.pl

We reserve the right to alter specifications without prior notice.  
All measurements given are nominal dimensions only.



SCALE 1:10