

VARIUS A

Height: 550

Width: 450

Depth: 200

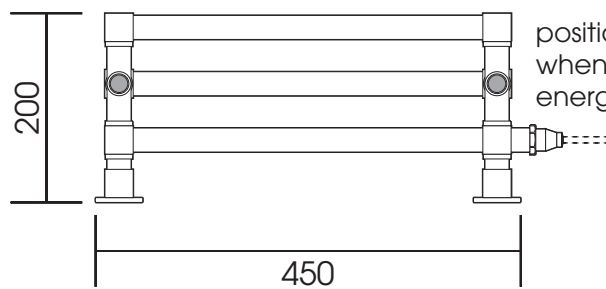
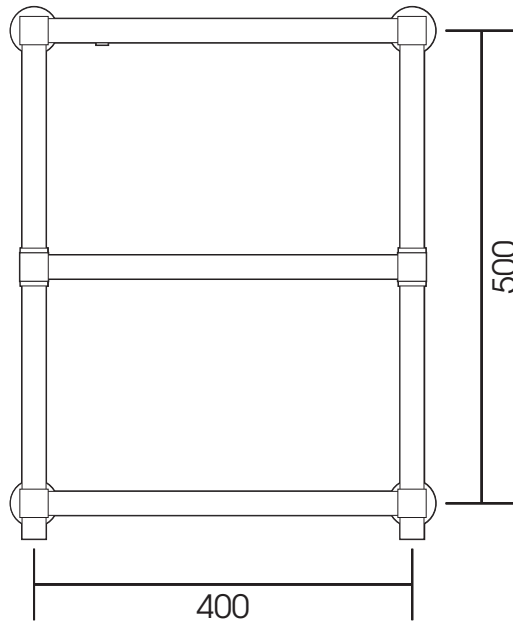
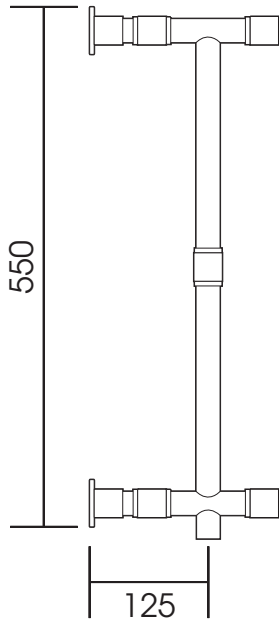
Tube \varnothing : 25.4

Output @ 50°C Δ T: 156 W

Electric element: 100 W

All dimensions in millimetres

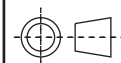
Manufactured from ISO/CEN CuZn30As (BS CZ126) brass tube



KALMAR
ciepło na miarę

www.kalmar.waw.pl

We reserve the right to alter specifications without prior notice.
All measurements given are nominal dimensions only.



SCALE 1:8

VARIUS B

Height: 550

Width: 650

Depth: 200

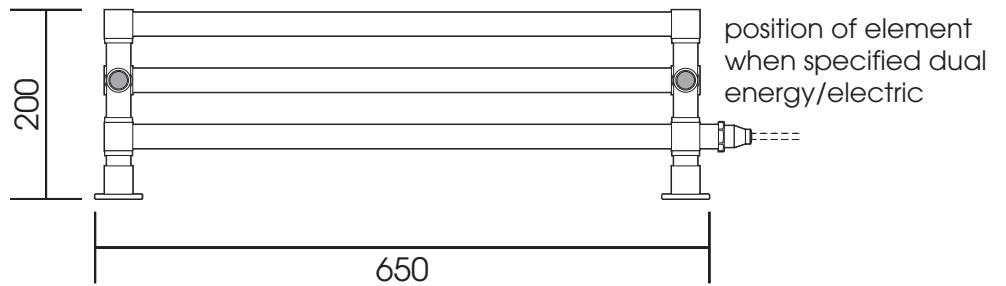
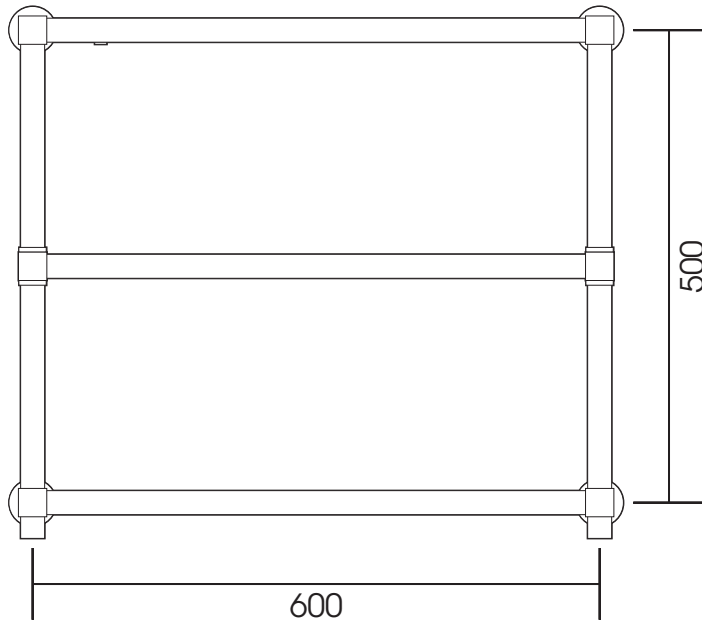
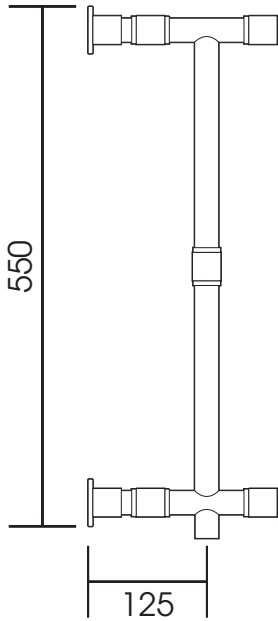
Tube \varnothing : 25.4

Output @ 50°C Δ T: 167 W

Electric element: 125 W

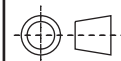
All dimensions in millimetres

Manufactured from ISO/CEN CuZn30As (BS CZ126) brass tube



KALMAR
ciepło na miarę
www.kalmar.waw.pl

We reserve the right to alter specifications without prior notice.
All measurements given are nominal dimensions only.



SCALE 1:8