

# Vena 1.1

Height: 825

Width: 525

Depth: 126

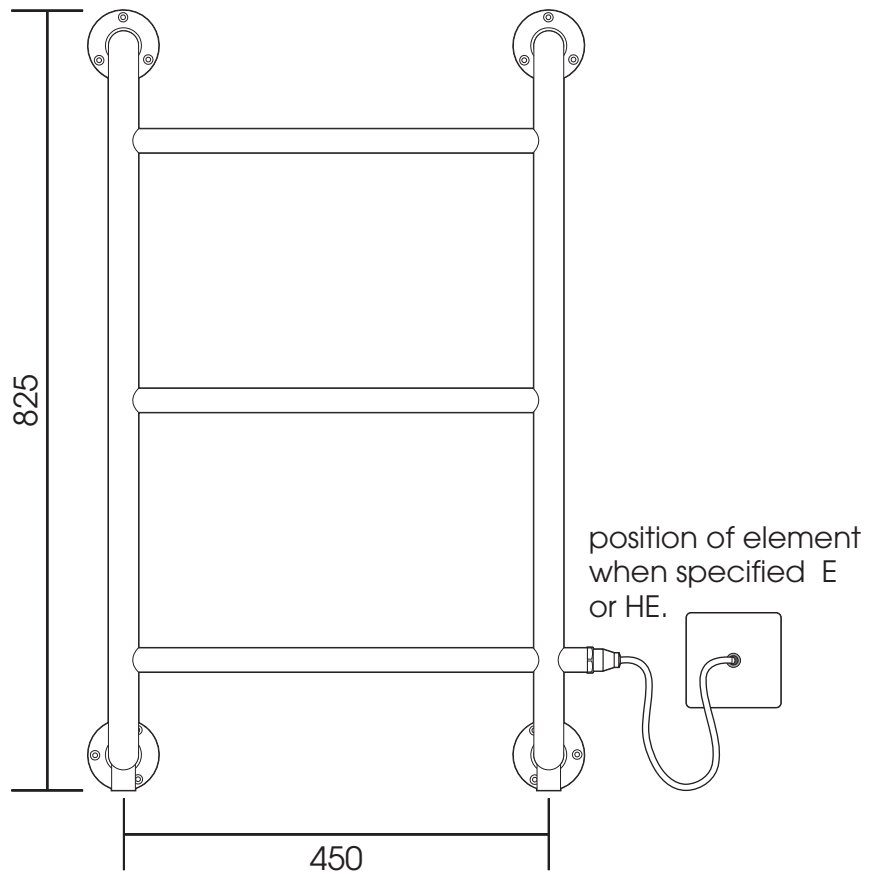
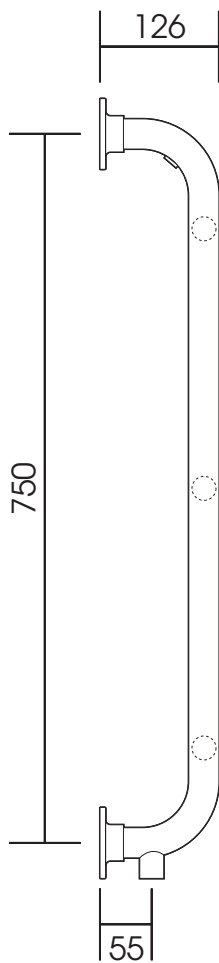
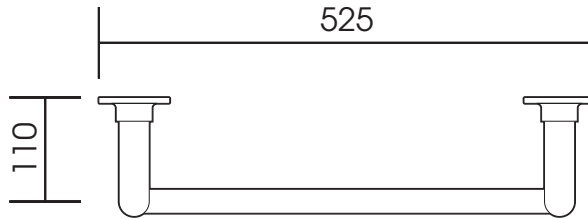
Tube  $\varnothing$ : 31.8 + 25.4

Output @ 50°C $\Delta$ T: 136 W

Electric element: 75 W

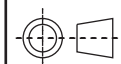
All dimensions in millimetres

Manufactured from ISO/CEN CuZn30As (BS CZ126) brass tube



**KALMAR**  
ciepło na miarę  
www.kalmar.waw.pl

We reserve the right to alter specifications without prior notice.  
All measurements given are nominal dimensions only.



SCALE 1:8

# Vena 1.2

Height: 825

Width: 675

Depth: 126

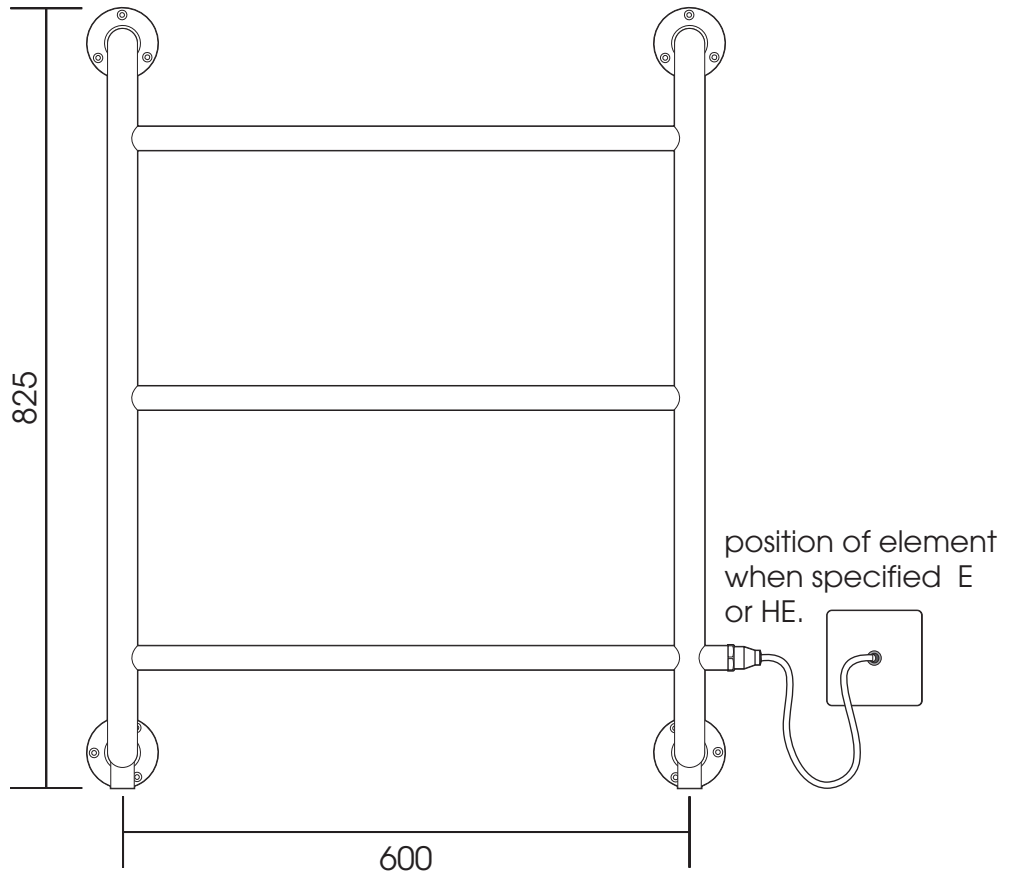
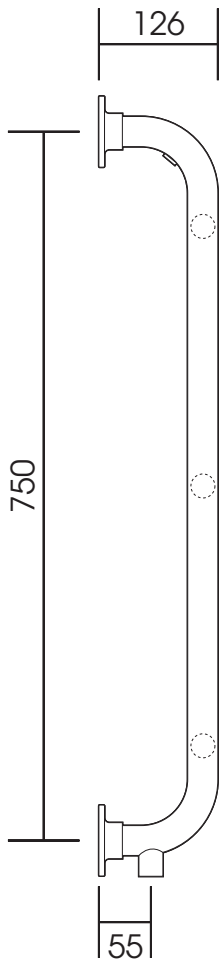
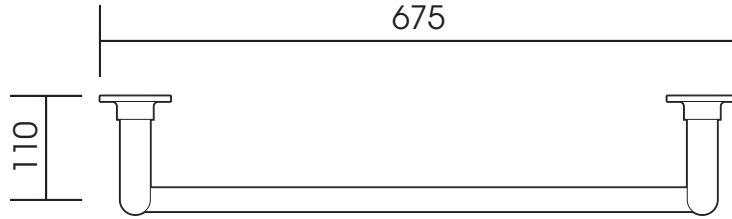
Tube  $\varnothing$ : 31.8 + 25.4

Output @ 50°C $\Delta$ T: 154 W

Electric element: 100 W

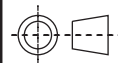
All dimensions in millimetres

Manufactured from ISO/CEN CuZn30As (BS CZ126) brass tube



**KALMAR**  
ciepło na miarę  
www.kalmar.waw.pl

We reserve the right to alter specifications without prior notice.  
All measurements given are nominal dimensions only.



SCALE 1:8

# Vena 2.1

Height: 1275

Width: 525

Depth: 126

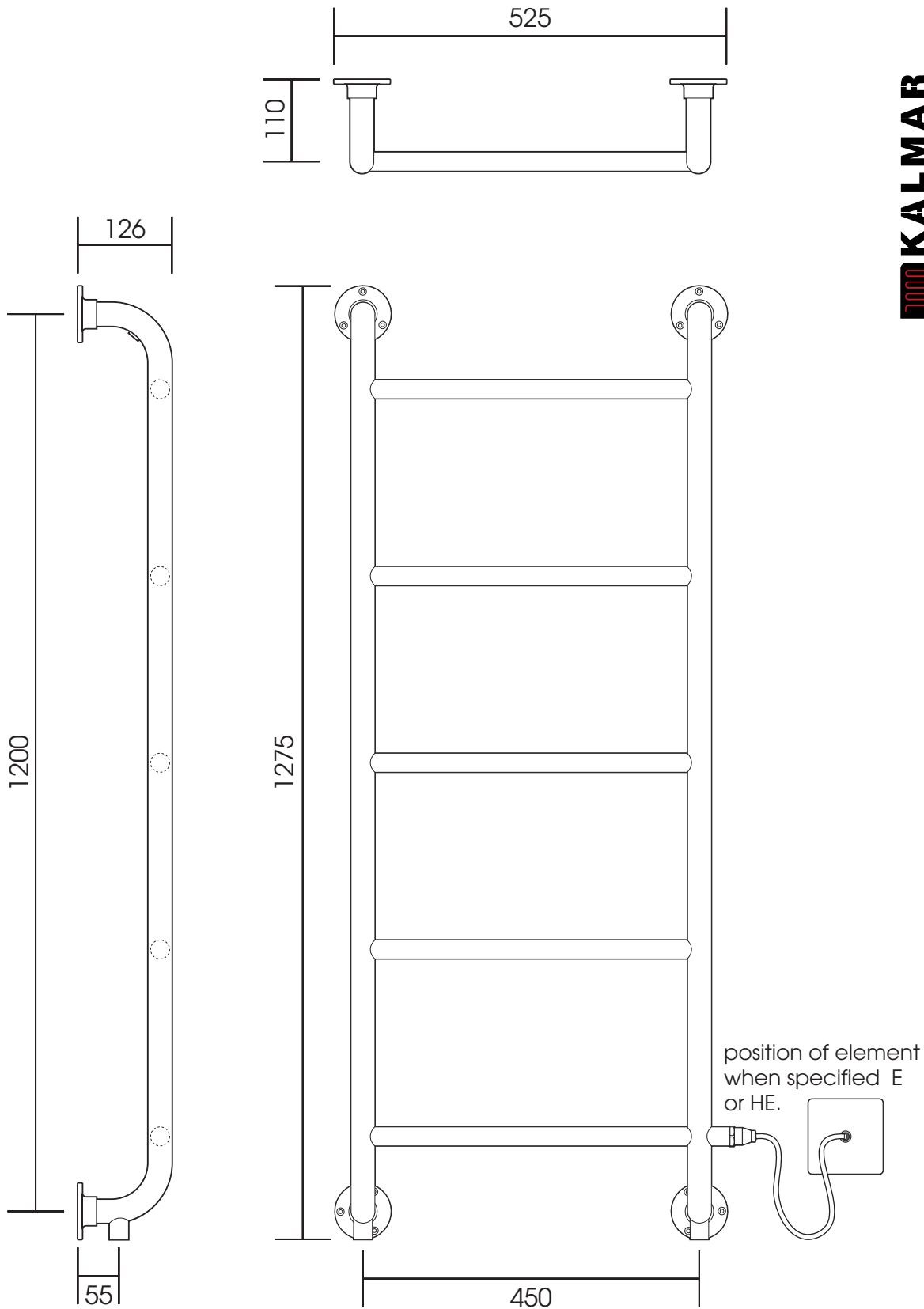
Tube  $\varnothing$ : 31.8 + 25.4

Output @ 50°C $\Delta$ T: 216 W

Electric element: 125 W

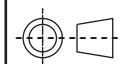
All dimensions in millimetres

Manufactured from ISO/CEN CuZn30As (BS CZ126) brass tube



**KALMAR**  
ciepło na miarę  
[www.kalmar.waw.pl](http://www.kalmar.waw.pl)

We reserve the right to alter specifications without prior notice.  
All measurements given are nominal dimensions only.



SCALE 1:8

# Vena 2.2

Height: 1275

Width: 675

Depth: 126

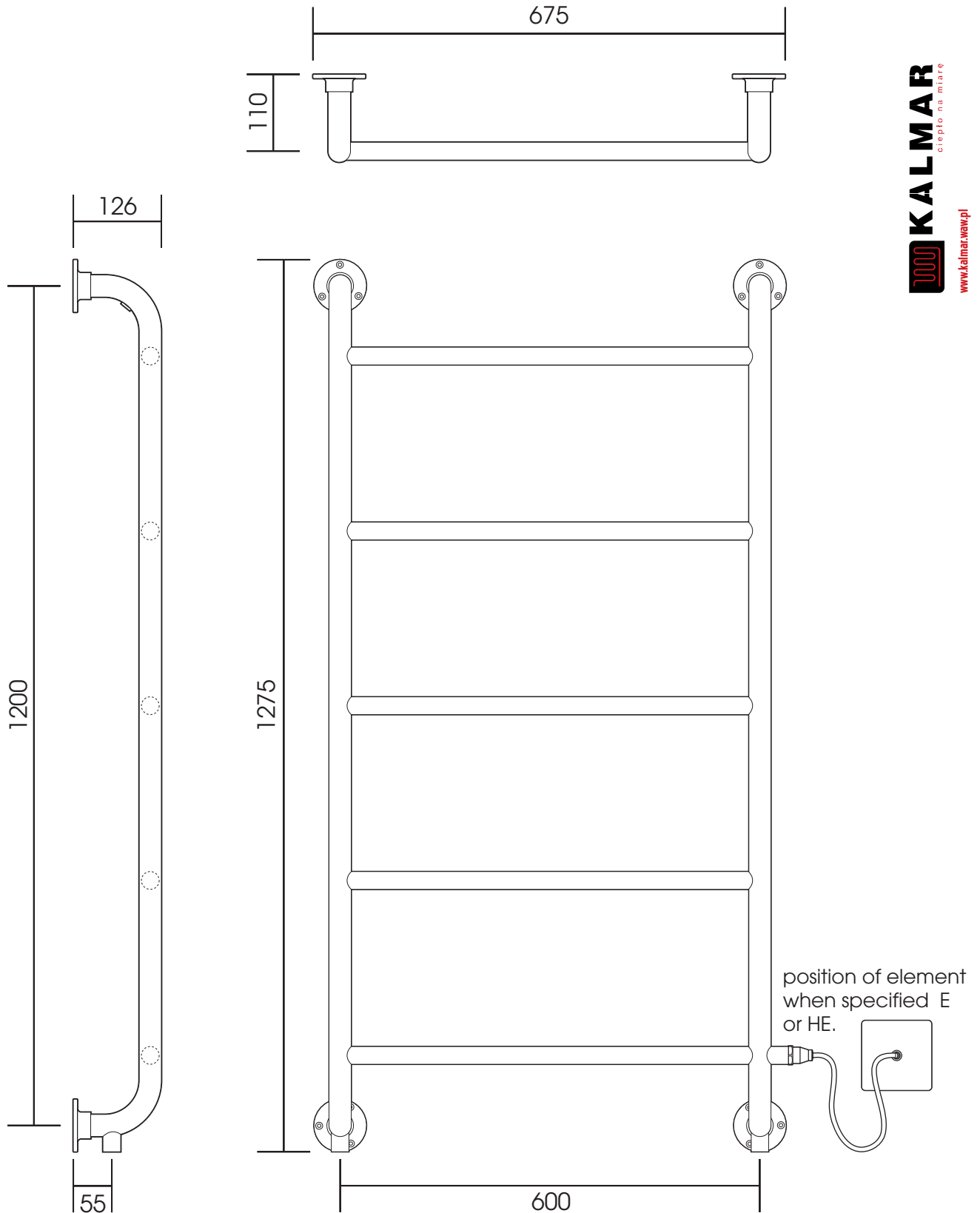
Tube  $\varnothing$ : 31.8 + 25.4

Output @ 50°C $\Delta$ T: 247 W

Electric element: 125 W

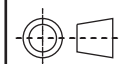
All dimensions in millimetres

Manufactured from ISO/CEN CuZn30As (BS CZ126) brass tube



**KALMAR**  
ciepło na miarę  
www.kalmar.waw.pl

We reserve the right to alter specifications without prior notice.  
All measurements given are nominal dimensions only.



SCALE 1:8

# Vena 3.1

Height: 1575

Width: 525

Depth: 126

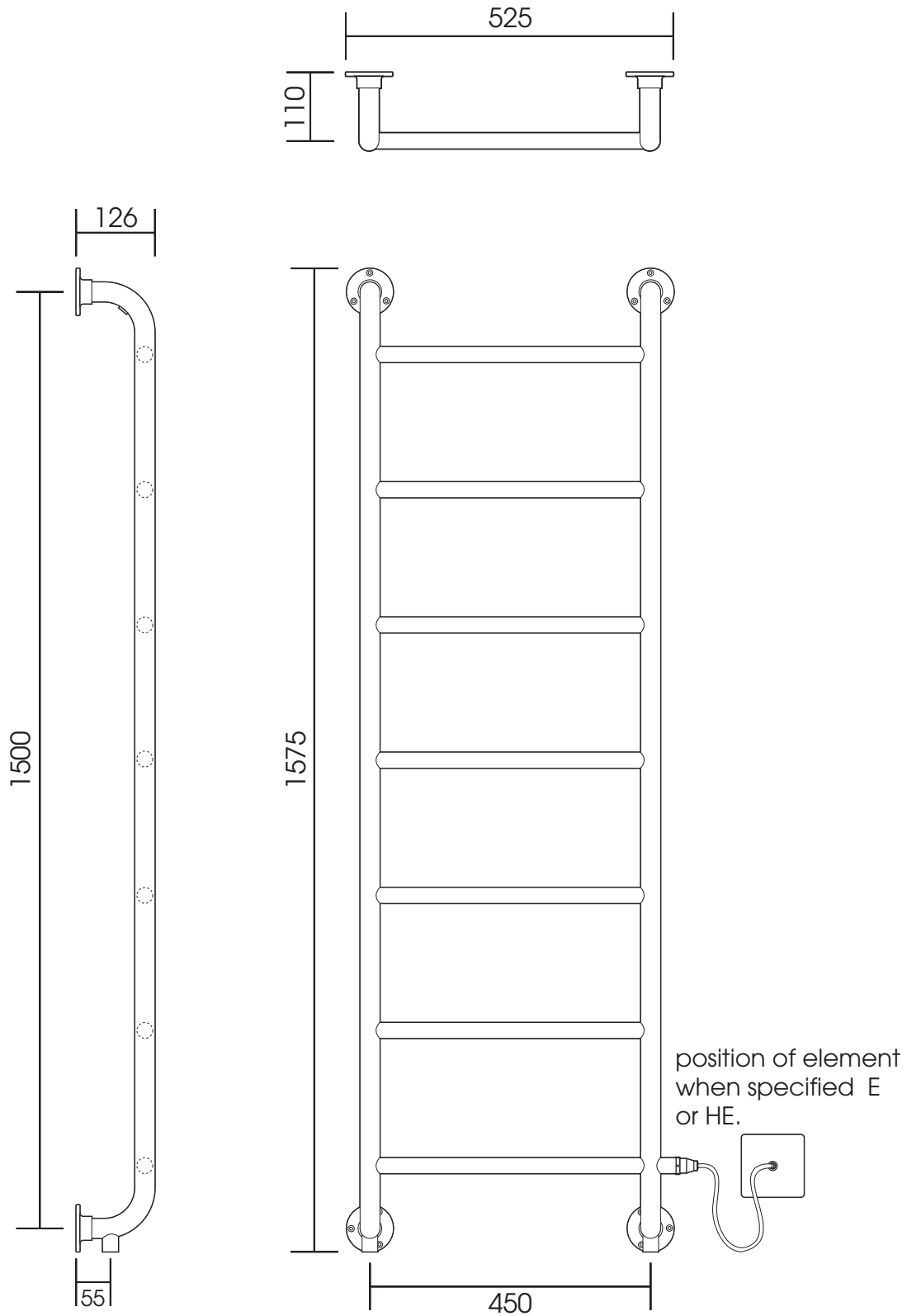
Tube  $\varnothing$ : 31.8 + 25.4

Output @ 50°C $\Delta$ T: 281 W

Electric element: 150 W

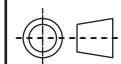
All dimensions in millimetres

Manufactured from ISO/CEN CuZn30As (BS CZ126) brass tube



**KALMAR**  
ciepło na miarę  
www.kalmar.waw.pl

We reserve the right to alter specifications without prior notice.  
All measurements given are nominal dimensions only.



SCALE 1:10

# Vena 3.2

Height: 1575

Width: 675

Depth: 126

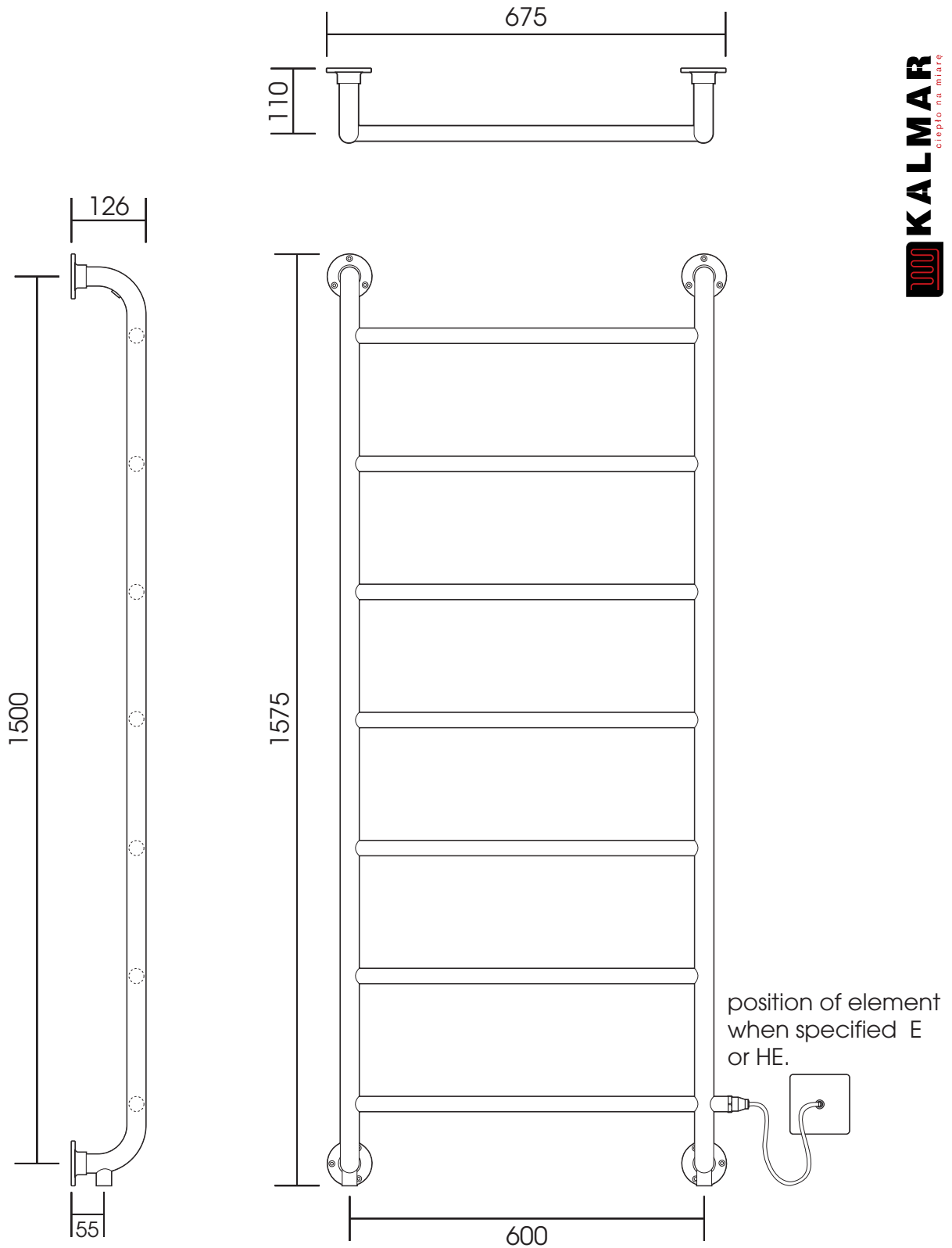
Tube  $\varnothing$ : 31.8 + 25.4

Output @ 50°C $\Delta$ T: 324 W

Electric element: 150 W

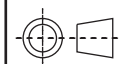
All dimensions in millimetres

Manufactured from ISO/CEN CuZn30As (BS CZ126) brass tube



**KALMAR**  
ciepło na miarę  
www.kalmar.waw.pl

We reserve the right to alter specifications without prior notice.  
All measurements given are nominal dimensions only.



SCALE 1:10