

VENICE

Height: 938

Width: 675

Depth: 215

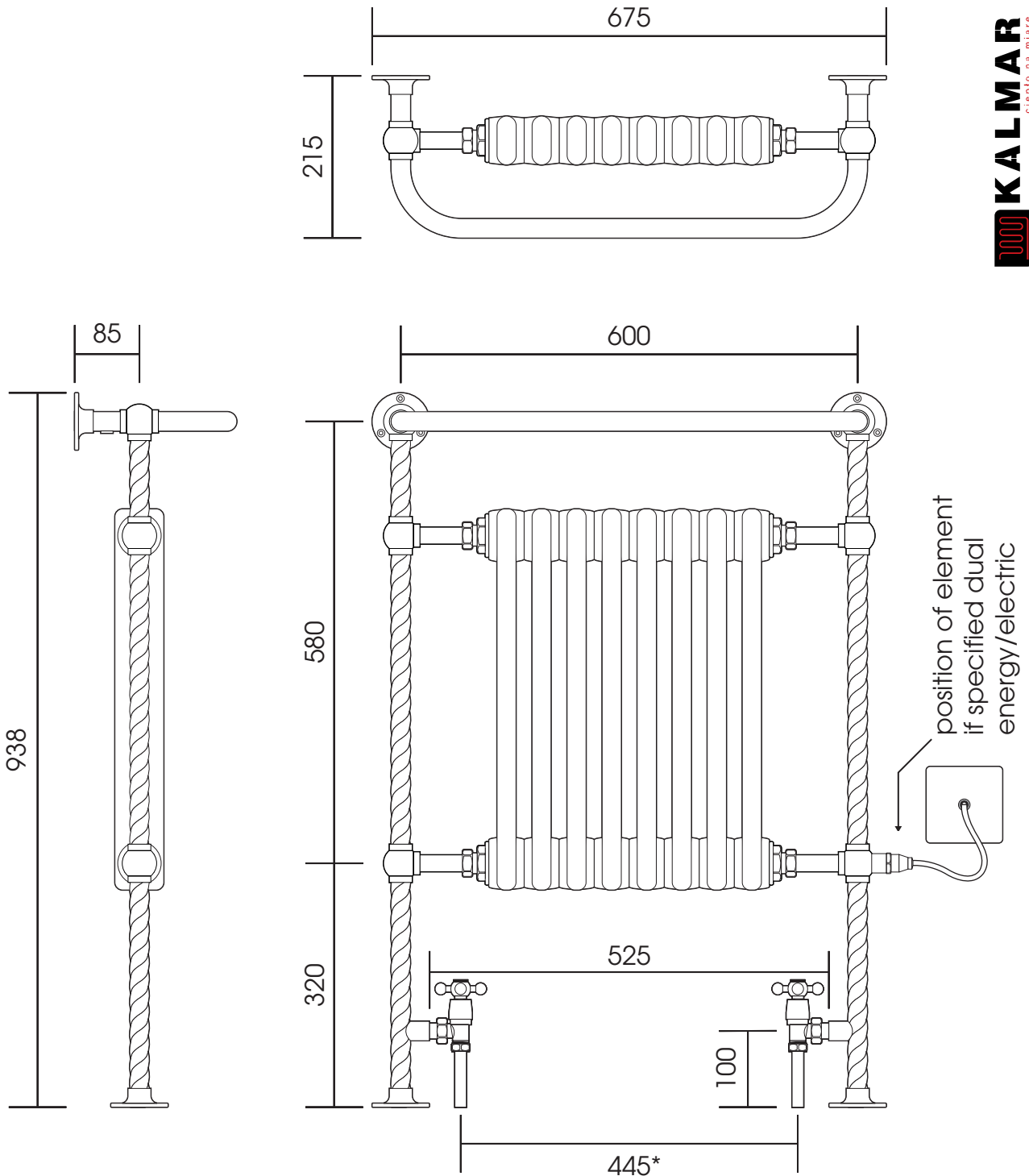
Tube \varnothing : 25.4

Output @ 50°C Δ T: 451 W

Electric element: 300 W

All dimensions in millimetres

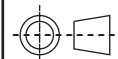
Manufactured from ISO/CEN CuZn30As (BS CZ126) brass tube



KALMAR
ciepło na miarę
www.kalmar.waw.pl

*Approximate dimension-see relevant valve drawings for details.

We reserve the right to alter specifications without prior notice. All measurements given are nominal dimensions only.



SCALE 1:8